

[®]
Dayton



Belt-Drive Utility Exhaust Blowers

Models

**488V75, 488V76, 488V77, 488V78, 488V79,
488V80, 488V81, 488V82, 488V83, 488V84**

®
Dayton

**PLEASE READ AND SAVE
THESE INSTRUCTIONS.**

**READ CAREFULLY
BEFORE ATTEMPTING
TO ASSEMBLE, INSTALL,
OPERATE OR MAINTAIN THE
PRODUCT DESCRIBED.**

**PROTECT YOURSELF AND
OTHERS BY OBSERVING ALL
SAFETY INFORMATION. FAILURE
TO COMPLY WITH INSTRUCTIONS
COULD RESULT IN PERSONAL
INJURY AND/OR PROPERTY
DAMAGE! RETAIN INSTRUCTIONS
FOR FUTURE REFERENCE.**

**PLEASE REFER TO BACK COVER
FOR INFORMATION REGARDING
DAYTON'S WARRANTY AND OTHER
IMPORTANT INFORMATION.**

Model #: _____

Serial #: _____

Purch. Date: _____

*Form 5S6729 / Printed in USA
04632 Version 2 12/2018*

**© 2018 Dayton Electric Manufacturing Co.
All Rights Reserved**

BEFORE YOU BEGIN

⚠ WARNING

Installation, troubleshooting and parts replacement are to be performed only by qualified personnel.



Electrical Requirements:

- The motor voltage and ampere rating must be checked for compatibility with the electrical supply prior to final electrical connection. Supply wiring to the fan must be properly fused, and conform to local and national electrical codes.



Tools Needed:

- Drill
- Level
- Multimeter
- Tape Measure
- Lock-Out Tag-Out
- Hex Keys/Wrench

UNPACKING



Contents:

- Dayton® Utility Exhaust Belt-Drive Blower (1)
- Operating Instructions and Parts Manual (1)



Inspect:

- After unpacking unit, inspect carefully for any damage that may have occurred during transit. Check for loose, missing, or damaged parts. Shipping damage claim must be filed with carrier.
- Check all bolts, screws, set-screws, etc. for looseness that may have occurred during transit. Retighten as required. Rotate blower wheel by hand to be sure it turns freely.
- **See General Safety Instructions on page 2, and Cautions and Warnings as shown.**



GENERAL SAFETY INSTRUCTIONS

Utility Exhaust Blowers are designed for commercial kitchen exhaust or industrial spark resistant applications requiring high volumes of air at high static pressures. Units are suitable for ducted exhaust, supply and return-air applications. All blowers are UL/cUL Listed Subject 762 (YZHW) and comply with all requirements set forth in NFPA 96 Standard for Ventilation Control and Fire Protection Commercial Cooking Operations. Hazardous Location Motors are offered for many single and three phase blower combinations.

NOTE: Blower is only permissible for UL 762 when mounted outside of the building, scroll must remain in upblast position for proper grease draining.

⚠ DANGER *Do not depend on any switch as the sole means of disconnecting power when installing or servicing the blower. Always disconnect, lock and tag power source before installing or servicing. Failure to disconnect power source can result in fire, shock or serious injury. Motor will restart without warning after thermal protector trips. Do not touch operating motor, it may be hot enough to cause injury.*

⚠ DANGER *Do not place any body parts or objects in blower, motor openings or drives while motor is connected to power source.*

⚠ WARNING *Do not use this equipment in explosive atmospheres.*

1. Read and follow all instructions and cautionary markings. Make sure electrical power source conforms to requirements of equipment and local codes.
2. Blowers should be assembled, installed and serviced by a qualified technician. Have all electrical work performed by a qualified electrician.
3. Follow all local electrical and safety codes in the United States, as well as the National Electrical Code (NEC) and National Fire Protection Agency (NFPA) where applicable. Follow the Canadian Electric Code (CEC) in Canada.
4. The rotation of the wheel is critical. It must be free to rotate without striking or rubbing any stationary objects.
5. Unit must be securely and adequately grounded.
6. Do not spin blower wheel faster than max cataloged fan RPM. Adjustments to fan speed significantly affects motor load. If the blower RPM is changed, the motor current should be checked to make sure it is not exceeding the motor nameplate amps.
7. Do not kink power cable or allow it to come in contact with sharp objects, oil, grease, hot surfaces or chemicals. Replace damaged cords immediately.
8. Make certain that the power source conforms to the requirements for the equipment.
9. Never open access door to a duct with the ventilator running.

SPECIFICATIONS

488V75, 488V76, 488V77, 488V78, 488V79, 488V80, 488V81, 488V82, 488V83, 488V84

Max. Inlet Temp.	300°F
Mounting Location	Outdoor (UL 762), Indoor (UL 705)
Recommended NEMA 1 Disconnect Switch	1H400 (2 pole, 115/230V, 2 HP max)
	1H401 (3 pole, 230V, 7-1/2 HP max)
	1H401 (3 pole, 460V, 10 HP max)
Recommended NEMA 4 Disconnect Switch	1H408 (2 pole, 115/230V, 2 HP max)
	1H409 (3 pole, 230V, 7-1/2 HP max)
	1H409 (3 pole, 460V, 10 HP max)
Agency Compliance	UL/cUL 762, AMCA Air

Dimensions (inches)

	488V75	488V76	488V77	488V78	488V79	488V80	488V81	488V82	488V83	488V84
A	11	12-6/7	14-1/6	15-3/4	17-1/3	19-1/6	21	23-1/3	25-5/7	
B	8-1/2	10	10-8/9	12	13-1/4	14-5/8	16	17-3/4	19-1/2	
C	15-1/2	15-1/2	16-3/4	18-1/2	19-1/2	22	23-3/4	24	25	
E	22-1/4	22-1/4	24-3/4	27-1/2	30	33-1/4	36-1/8	41-1/2	45-3/4	
F	20-2/3	21-2/3	22-3/4	24-4/7	28-3/4	32-3/4	35-5/8	34-8/9	36-1/2	
G	11-1/6	13	14-1/3	16	17-1/2	19-1/3	21-1/6	23-5/9	26	
H	11-1/2	13-1/3	14-3/5	16-1/5	17-3/4	19-4/7	21-2/5	23-3/4	26-1/9	
J	20	23-2/7	25-5/9	28-2/7	31	34-1/5	37-3/8	41-1/2	45-5/9	
K	10-2/3	11-4/5	12-3/5	13-5/9	14-1/2	15-3/5	16-3/4	18-1/6	19-3/5	
M	15-1/8	15-1/8	16-5/8	18-1/2	20-3/8	22-3/8	24-1/2	28-3/4	31-1/2	
N	16-1/9	16	17-2/3	20	22-1/3	23-3/8	25-5/8	28-1/4	31-1/2	
Wheel Dia.	11-1/8	12-1/4	13-1/2	15	16-1/2	18-1/4	22-1/4	22-1/4	24-1/2	
Shaft Dia.	3/4	1	1	1-1/5	1-1/5	1-1/5	1-4/9	1-4/9	1-4/9	

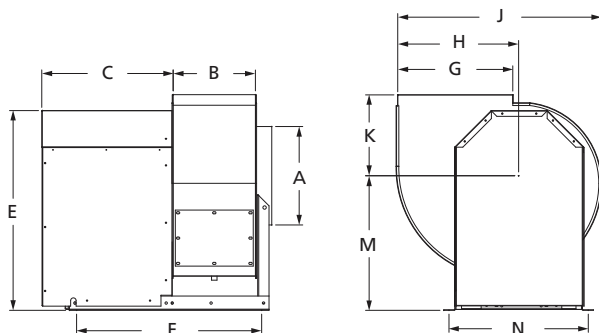


Figure 1



E53236
MH12596 – For Exterior use only in UL 762 installations



Dayton Electric Mfg. Co. certifies that the blowers shown herein are licensed to bear the AMCA seal. The ratings shown are based on tests and procedures performed in accordance with AMCA Publication 211 and comply with the requirements of the AMCA Certified Ratings Program.

PERFORMANCE

Model	HP	RPM	Max BHP	CFM Air Delivery @ Static Pressure Shown					
				0.25"	0.50"	0.75"	1.00"	2.00"	3.00"
488V75	1/4	1710	0.25	887	805	719	580	-	-
	1/3	1870	0.33	988	908	833	736	-	-
	1/2	2048	0.5	1097	1019	956	884	-	-
	3/4	2246	0.6	1215	1146	1083	1022	568	-
	1	2581	0.9	1414	1357	1294	1243	982	-
488V76	1/4	1400	0.15	899	777	633	-	-	-
	1/4	1670	0.25	1125	1012	911	799	-	-
	1/3	1833	0.33	1259	1149	1056	963	-	-
	1/2	2103	0.5	1471	1374	1288	1208	741	-
	3/4	2408	0.75	1705	1629	1543	1470	1186	-
	1	2600	1	1851	1787	1703	1632	1369	952
488V77	1/3	1622	0.33	1593	1464	1320	1162	-	-
	1/2	1863	0.5	1862	1756	1637	1511	673	-
	3/4	2132	0.75	2158	2071	1971	1866	1367	-
	1	2347	1	2393	2313	2229	2135	1724	1097
	1-1/2	2687	1.5	2763	2692	2622	2546	2209	1814
	2	2957	2	3055	2989	2925	2862	2565	2234
488V78	1/4	1258	0.25	1608	1411	1195	864	-	-
	1/3	1380	0.33	1797	1623	1432	1203	-	-
	1/2	1585	0.50	2105	1963	1807	1636	-	-
	3/4	1814	0.75	2444	2330	2196	2058	1335	-
	1	1996	1.00	2710	2608	2493	2370	1811	-
	1-1/2	2285	1.50	3132	3041	2951	2847	2399	1820
	2	2515	2.00	3467	3382	3300	3215	2820	2377
	3	2879	3.00	3992	3915	3843	3772	3446	3090
488V79	1/3	1157	0.33	2038	1802	1537	1178	-	-
	1/2	1329	0.50	2398	2205	1991	1756	-	-
	3/4	1521	0.75	2791	2633	2454	2265	1003	-
	1	1674	1.00	3100	2964	2805	2640	1818	-
	1-1/2	1917	1.50	3589	3469	3343	3203	2586	1648
	2	2110	2.00	3974	3863	3755	3633	3101	2433
	3	2415	3.00	4581	4481	4386	4291	3846	3350

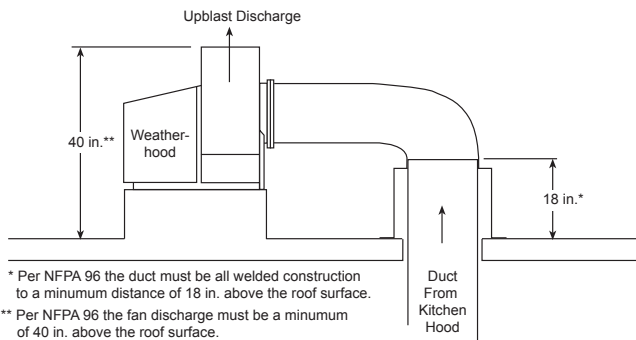
Performance certified is for installation type B: Free inlet, Ducted outlet. Power rating (BHP) does not include transmission losses. Performance ratings do not include the effects of appurtenances (accessories). The AMCA Certified ratings Seal applies to air performance ratings only.

Model	HP	RPM	Max BHP	CFM Air Delivery @ Static Pressure Shown					
				0.25"	0.50"	0.75"	1.00"	2.00"	3.00"
488V80	1/2	1134	0.50	2696	2439	2157	1820	-	-
	3/4	1298	0.75	3147	2936	2703	2449	-	-
	1	1429	1.00	3501	3320	3111	2894	1664	-
	1-1/2	1635	1.50	4054	3900	3729	3546	2713	-
	2	1800	2.00	4493	4352	4209	4046	3335	2338
	3	1919	2.42	4811	4677	4545	4398	3754	2948
	3	2060	3.00	5184	5057	4935	4808	4220	3558
	5	2393	4.70	6063	5948	5843	5738	5263	4741
488V81	1/2	957	0.50	3198	2920	2594	2103	-	-
	3/4	1095	0.75	3729	3497	3237	2933	-	-
	1	1206	1.00	4150	3944	3721	3475	-	-
	1-1/2	1380	1.50	4800	4625	4441	4244	3148	-
	2	1519	2.00	5314	5160	4996	4823	3985	2445
	3	1739	3.00	6126	5994	5853	5710	5066	4169
	5	2062	5.00	7308	7197	7087	6967	6464	5891
	488V82	3/4	940	0.75	4180	3878	3533	3077	-
1		1035	1.00	4657	4392	4096	3757	-	-
1-1/2		1185	1.50	5400	5174	4933	4671	3088	-
2		1304	2.00	5982	5781	5573	5344	4154	-
3		1493	3.00	6902	6732	6550	6367	5501	4202
5		1770	5.00	8240	8098	7953	7799	7148	6360
7-1/2		1900	6.18	8865	8733	8601	8459	7864	7191
488V83		3/4	787	0.75	4768	4358	3859	3150	-
	1	866	1.00	5319	4958	4551	4032	-	-
	1-1/2	992	1.50	6187	5883	5554	5189	1756	-
	2	1092	2.00	6865	6594	6307	5997	4198	-
	3	1250	3.00	7928	7699	7457	7201	5967	3728
	5	1482	5.00	9476	9287	9089	8885	7982	6795
488V84	1	750	1.00	6142	5634	5067	4333	-	-
	1-1/2	859	1.50	7171	6731	6275	5771	-	-
	2	945	2.00	7974	7574	7171	6742	4048	-
	3	1082	3.00	9231	8889	8539	8186	6447	-
	5	1283	5.00	11058	10779	10485	10189	8937	7264
	7-1/2	1468	7.49	12728	12486	12235	11978	10935	9755
	10	1550	8.81	13465	13236	13004	12760	11779	10704

INSTALLATION INSTRUCTIONS

⚠ WARNING

Installation, troubleshooting and parts replacement are to be performed only by qualified personnel. Consult and follow NFPA 96 recommendations. NFPA 96 instructions supersede this document.



* Per NFPA 96 the duct must be all welded construction to a minimum distance of 18 in. above the roof surface.

** Per NFPA 96 the fan discharge must be a minimum of 40 in. above the roof surface.

Figure 2

1. This Dayton blower is assembled and shipped in the upblast position. If another position is desired refer to Figure 3 (viewed from drive side) for optional discharge positions.

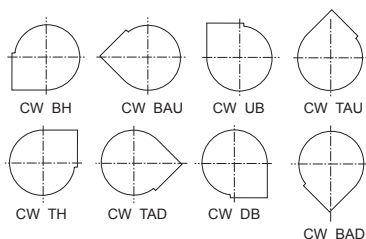


Figure 3

NOTE: For Top Angular Down, Downblast and Bottom Angular Down discharge positions, a portion of the frame angle must be removed.

NOTE: Changing the discharge position will relocate the access door and drain connection. NFPA 96 requires the drain connection be placed at the lowest point of the scroll to discard water and grease. Additionally, UL does not permit these blowers to be used in the downblast positions for kitchen or grease applications.

- a. To rotate the scroll you will have to remove a total of sixteen fasteners. Eight fasteners are located on the intake side and the other eight are located on the tall vertical support behind the weather hood.
 - b. Position the scroll in the desired position. Line up holes and refasten with the same bolts you previously removed.
2. Locate and prepare roof area for blower. Blower should be securely fastened to the roof deck, roof joist, or equipment supports through the mounting holes provided in the base angles. If equipment supports are being used they should be fastened to the roof as well.

3. Restricted or unstable flow at the fan inlet can cause pre-rotation of incoming air or uneven loading of the fan wheel, yielding large system losses, increase sound levels and structural failure of the blower wheel. Free discharge or turbulent flow in the discharge ductwork will also result in system effect losses. The examples in Figure 4 show the system layout and inlet and discharge configurations which can affect blower performance.

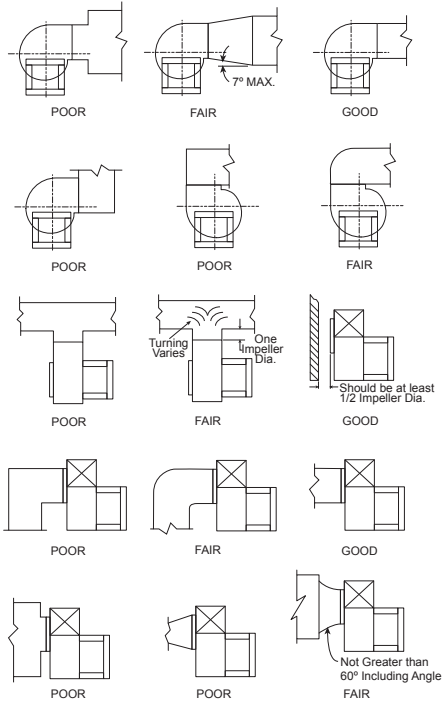


Figure 4

NOTE: Inlet duct should be straight for a minimum of 2-1/2" wheel diameters prior to connecting to the blower.

4. Attach inlet duct to the inlet collar of the blower. NFPA 96 requires the inlet duct connection and duct to be fully welded in kitchen exhaust applications. Refer back to Figure 2 for minimum duct and blower discharge heights.
5. Replace access door using same bolts that were removed previously.

NOTE: The drain connection will no longer operate if housing is rotated to another position. In this case, leave the plug installed to minimize air loss.

6. Rotate the wheel by hand to ensure that it does not rub and rotates freely. Refer to Figures 5 and chart for proper overlap and radial gap dimensions.
 - a. Centering can be accomplished by loosening the inlet cone bolts to move the inlet cone or by loosening the bearings in order to move the shaft.
 - b. Wheel and inlet cone overlap can be adjusted by loosening the wheel hub set screws and moving the wheel to the desired position. Tighten all fasteners and set screws securely.

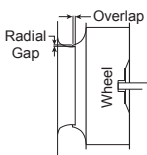


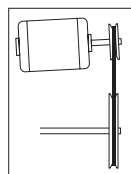
Figure 5

	Wheel Diameter	
	11-1/8 thru 16-1/2	18-1/4 thru 24-1/2
Overlap (inches)	1/4	5/32
Radial Gap (inches)	3/8	5/32

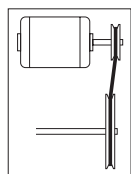
MOTOR AND PULLEY MOUNTING

⚠ CAUTION *Never adjust pitch of wheel blades in field. Blade pitch should only be changed by manufacturer.*

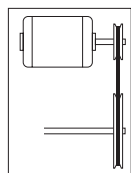
NOTE: For UL/cUL Listed units, the motor used with this fan must be designated as such by Dayton®.



Wrong



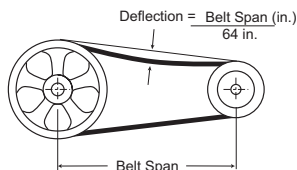
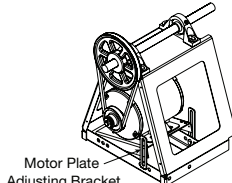
Wrong



Right

Figure 6

- Secure motor to plate (hardware by others). Holes will align when the motor frame (shaft end) is flush with the edge of the motor plate. Refer to UL/cUL motor label attached to unit.
- Mount pulleys on shafts and secure with set screw. Check pulleys for proper alignment, see Figure 6. Misaligned pulleys lead to excessive belt wear, vibration and noise.
- Install the belt and adjust the tension to allow for 1/64" of deflection per inch of span when moderate thumb pressure is applied to the belt. Adjust belt using the motor plate adjusting brackets as shown in Figure 7. Too much tension will cause excess bearing wear and noise. Too little tension will cause slippage at startup and uneven wear.

**Figure 7**Motor Plate
Adjusting Bracket**Figure 8**

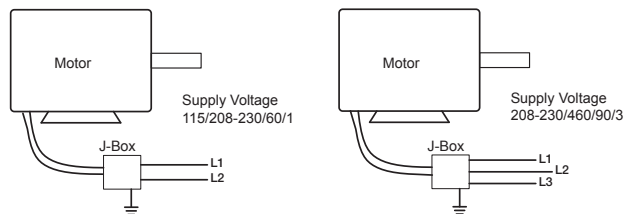
- Adjust RPM to desired level using a variable pitch pulley. After adjustment, motor amperage should be checked to avoid overloading of the motor.

Electrical connection

NOTE: Refer to motor nameplate for wiring procedures. Refer to switch manufacturer for installation and wiring procedures.

⚠ WARNING *To reduce the risk of electrical shock - do not connect to a circuit operating at more than 150V to ground.*

- Motor and fan must be securely grounded (bare metal) to a suitable electric ground, such as a grounded water pipe or ground wire system.
- Wire motor for desired voltage per wiring diagram on motor or refer to Figure 9 for connection wiring diagram.

**Figure 9**

OPERATION

1. Before starting up or operating your new Dayton® blower, check all fasteners for tightness. In particular, check bearing set screws in wheel (and sheaves, if applicable). While in the OFF position, or before connecting the blower to power, turn the blower wheel by hand to be sure it is not striking the orifice or any obstacle.
2. Start the blower up and shut it off immediately to check rotation of the wheel with directional arrow in the motor compartment.
 - a. Rotation of the wheel is critical and incorrect rotation will result in reduced air performance, increased motor loading and possible motor burnout.
 - b. Remove access door.
 - c. Check wheel rotation by momentarily energizing the unit and note if rotation is in the same direction as the airflow at the outlet and conforms to the rotation decal affixed to the blower or refer to Figure 10.

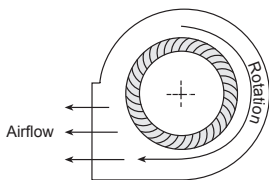


Figure 10

4. When the blower is started, observe the operation and check for any unusual noises.
5. With the system in full operation measure current input to the motor and compare with the nameplate rating to determine if the BHP is operating under safe load conditions.
6. Adjust RPM to desired level using a variable pitch pulley. After adjustment, motor amperage should be checked to avoid overloading of the motor.

IMPORTANT: Adjust (tighten) belt tension after the first 24 hours of operation.

7. Keep inlets and approaches to blower clean and free from obstruction.

TROUBLESHOOTING GUIDE

Symptom	Possible Cause(s)	Corrective Action
Blower inoperative	1. Electrical Supply	1. Check fuses/circuit breakers. Check for switches off. Check for correct supply voltage.
	2. Drive	2. Check for broken belts. Tighten loose pulleys.
	3. Motor	3. Assure motor is correct horsepower and not tripping overload protector.
Excessive noise or vibration	1. Wheel Rubbing Inlet	1. Adjust wheel and/or inlet cone. Tighten wheel hub or bearing collars on shaft.
	2. V-Belt Drive	2. Tighten sheaves on motor/fan shaft. Adjust belt tension. Align sheaves properly (see page 8). Replace worn belts or sheaves.
	3. Bearings	3. Replace defective bearing(s). Lubricate bearings. Tighten collars and fasteners.
	4. Wheel Unbalance	4. Clean all dirt off wheel. Check wheel balance, rebalance in place if necessary.
Insufficient airflow	1. Blower	1. Check wheel for correct rotation. Increase fan speed.*
	2. Duct System	2. See page 7, Figure 4.
Too much airflow	1. Blower	1. Re-size ductwork. Access door, filters, grills not installed.
	2. Duct System	2. Change obstructions in system. Use correction factor to adjust for temperature/altitude. Re-size ductwork. Clean filters/coils. Adjust fan speed.*
Static pressure incorrect	Duct system has more or less restriction than anticipated	Check rotation of wheel. Adjust fan speed.
Overheated bearings	1. Lubrication	1. Check for excessive or insufficient grease in the bearing.
	2. Mechanical	2. Replace damaged bearing. Relieve excessive belt tension. Align bearings. Check for bent shaft.
Motor overloads or overheats	1. Blower	1. Check rotation of wheel. Reduce fan speed.
	2. Duct System	2. Re-size ductwork. Check proper operation of face and bypass dampers. Check filters and access doors.

* Always check motor amps and compare to nameplate rating. Excessive fan speed may overload the motor and result in burnout.

MAINTENANCE

⚠ WARNING

Disconnect and lockout power source before servicing.

⚠ CAUTION

Uneven cleaning of the wheel will produce an out of balance condition that will cause vibration in the fan.

1. Depending on the usage and severity of the contaminated air, a regularly scheduled inspection for cleaning the blower wheel, housing and surrounding areas should be established.
2. Check for unusual noises when blower is running.
3. Periodically inspect and tighten set-screws.
4. Periodically check belts for wear and tightness.

NOTE: When replacing belts use the same type as supplied with the unit.

NOTE: For belt replacement, loosen the motor mounting hardware to allow removal of the belt by hand.

⚠ CAUTION

Do not force belts on or off. This may cause cords to break, leading to premature belt failure.

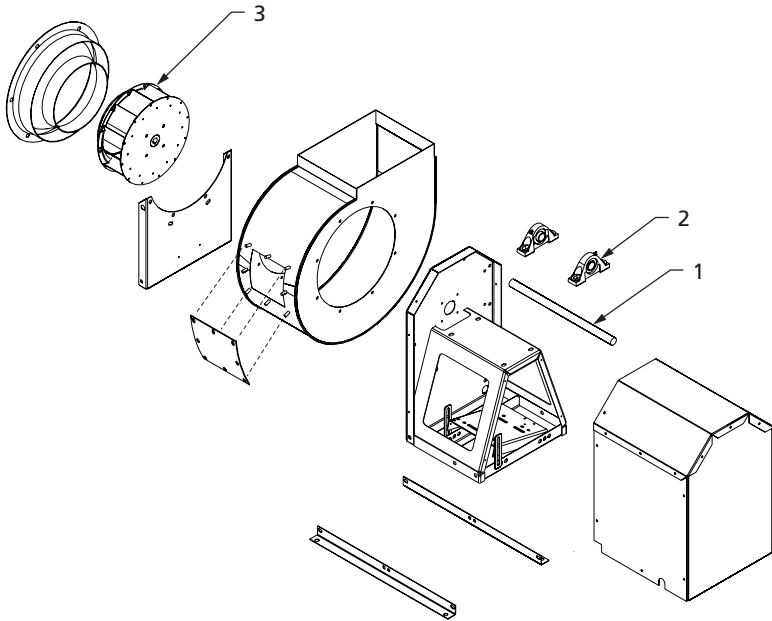
5. All blower bearings are pre-lubricated. Keep bearings clean and well lubricated.

NOTE: Sealed pillow block bearings require no further lubrication.

Recommended Relubrication Frequency in Months

Blower RPM	Bearing Bore (inches)		Blower RPM	Bearing Bore (inches)	
	1/2 to 1	3/4 to 1-1/2		1/2 to 1	3/4 to 1-1/2
To 250	12	12	1500	12	5
500	12	12	2000	12	3
750	12	9	2500	12	2
1000	12	7	3000	12	2
1250	12	6	3500	12	1
Number of Shots	4	8	Number of Shots	4	8

- a. Lubricant should be added with the shaft rotating and until clean grease is seen purging from the bearing. The lubrication interval may be modified based on the condition of the purged grease.
 - b. For conditions including high temperatures, moisture, dirt or excessive vibration, consult the factory for a specific lubrication interval for your application.
 - c. Lubricant should be a high quality lithium complex grease conforming to NLGI Grade 2. Factory recommends Mobilux EP-2.
 - d. The use of synthetic lubricants will increase lubrication intervals by approximately 3 times.
6. Follow motor manufacturer's instructions for motor lubrication.
 7. For critical applications, a spare motor and belts should be available.

REPAIR PARTS ILLUSTRATION FOR UTILITY EXHAUST BLOWERS

**For Repair Parts, call 1-800-Grainger
24 hours a day – 365 days a year**

Please provide following information:

- Model number
- Serial number (if any)
- Part description and number as shown in parts list

REPAIR PARTS LIST FOR UTILITY EXHAUST BLOWERS

Ref. No.	Description	Part Number for Models:			Quantity			
		488V76	488V78	488V80				
1	Shaft	21DT19	21DR22	493X37	488V84	488V82	493X40	1
2	Bearings	21DW66	21DT70	493X41	493X42	493X41	493X42	2
3	Wheel	493X58	493X50	493X52	493X56	493X54	493X56	1
Ref. No.	Description	Part Number for Models:			Quantity			
		488V75	488V77	488V79				
1	Shaft	21DT19	493X35	493X36	488V83	488V81	493X40	1
2	Bearings	21DW66	21DT70	493X41	493X42	493X41	493X42	2
3	Wheel	493X57	493X49	493X51	493X55	493X53	493X55	1

DAYTON ONE-YEAR LIMITED WARRANTY

DAYTON ONE-YEAR LIMITED WARRANTY. All Dayton® product models covered in this manual are warranted by Dayton Electric Mfg. Co. ("Dayton") to the original user against defects in workmanship or materials under normal use for one year after date of purchase. If the Dayton product is part of a set, only the portion that is defective is subject to this warranty. Any product or part which is determined to be defective in material or workmanship and returned to an authorized service location, as Dayton or Dayton's designee designates, shipping costs prepaid, will be, as the exclusive remedy, repaired or replaced with a new or reconditioned product or part of equal utility or a full refund given, at Dayton's or Dayton's designee's option, at no charge. For limited warranty claim procedures, see "Warranty Service" below. This warranty is void if there is evidence of misuse, mis-repair, mis-installation, abuse or alteration. This warranty does not cover normal wear and tear of Dayton products or portions of them, or products or portions of them which are consumable in normal use. This limited warranty gives purchasers specific legal rights, and you may also have other rights which vary from jurisdiction to jurisdiction.

WARRANTY DISCLAIMERS AND LIMITATIONS OF LIABILITY RELATING TO ALL CUSTOMERS FOR ALL PRODUCTS

LIMITATION OF LIABILITY. TO THE EXTENT ALLOWABLE UNDER APPLICABLE LAW, DAYTON'S LIABILITY FOR CONSEQUENTIAL AND INCIDENTAL DAMAGES IS EXPRESSLY DISCLAIMED. DAYTON'S LIABILITY IN ALL EVENTS IS LIMITED TO AND SHALL NOT EXCEED THE PURCHASE PRICE PAID.

WARRANTY DISCLAIMER. A DILIGENT EFFORT HAS BEEN MADE TO PROVIDE PRODUCT INFORMATION AND ILLUSTRATE THE PRODUCTS IN THIS LITERATURE ACCURATELY; HOWEVER, SUCH INFORMATION AND ILLUSTRATIONS ARE FOR THE SOLE PURPOSE OF IDENTIFICATION, AND DO NOT EXPRESS OR IMPLY A WARRANTY THAT THE PRODUCTS ARE MERCHANTABLE, OR FIT FOR A PARTICULAR PURPOSE, OR THAT THE PRODUCTS WILL NECESSARILY CONFORM TO THE ILLUSTRATIONS OR DESCRIPTIONS. EXCEPT AS PROVIDED BELOW, NO WARRANTY OR AFFIRMATION OF FACT, EXPRESSED OR IMPLIED, OTHER THAN AS STATED IN THE "LIMITED WARRANTY" ABOVE IS MADE OR AUTHORIZED BY DAYTON.

PRODUCT SUITABILITY. MANY JURISDICTIONS HAVE CODES AND REGULATIONS GOVERNING SALES, CONSTRUCTION, INSTALLATION, AND/OR USE OF PRODUCTS FOR CERTAIN PURPOSES, WHICH MAY VARY FROM THOSE IN NEIGHBORING AREAS. WHILE ATTEMPTS ARE MADE TO ASSURE THAT DAYTON PRODUCTS COMPLY WITH SUCH CODES, DAYTON CANNOT GUARANTEE COMPLIANCE, AND CANNOT BE RESPONSIBLE FOR HOW THE PRODUCT IS INSTALLED OR USED. BEFORE PURCHASE AND USE OF A PRODUCT, REVIEW THE SAFETY/SPECIFICATIONS, AND ALL APPLICABLE NATIONAL AND LOCAL CODES AND REGULATIONS, AND BE SURE THAT THE PRODUCT, INSTALLATION, AND USE WILL COMPLY WITH THEM.

CONSUMERS ONLY. CERTAIN ASPECTS OF DISCLAIMERS ARE NOT APPLICABLE TO CONSUMER PRODUCTS SOLD TO CONSUMERS; (A) SOME JURISDICTIONS DO NOT ALLOW THE EXCLUSION OR LIMITATION OF INCIDENTAL OR CONSEQUENTIAL DAMAGES, SO THE ABOVE LIMITATION OR EXCLUSION MAY NOT APPLY TO YOU; (B) ALSO, SOME JURISDICTIONS DO NOT ALLOW A LIMITATION ON HOW LONG AN IMPLIED WARRANTY LASTS, SO THE ABOVE LIMITATION MAY NOT APPLY TO YOU; AND (C) BY LAW, DURING THE PERIOD OF THIS LIMITED WARRANTY, ANY IMPLIED WARRANTIES OF MERCHANTABILITY OR FITNESS FOR A PARTICULAR PURPOSE APPLICABLE TO CONSUMER PRODUCTS PURCHASED BY CONSUMERS, MAY NOT BE EXCLUDED OR OTHERWISE DISCLAIMED.

THIS LIMITED WARRANTY ONLY APPLIES TO UNITED STATES PURCHASERS FOR DELIVERY IN THE UNITED STATES.

WARRANTY SERVICE

To obtain warranty service if you purchased the covered product directly from W.W. Grainger, Inc. ("Grainger"), (i) write or call or visit the local Grainger branch from which the product was purchased or another Grainger branch near you (see www.grainger.com for a listing of Grainger branches); or (ii) contact Grainger by going to www.grainger.com and clicking on the "Contact Us" link at the top of the page, then clicking on the "Email us" link; or (iii) call Customer Care (toll free) at 1-888-361-8649. To obtain warranty service if you purchased the covered product from another distributor or retailer, (i) go to www.grainger.com for Warranty Service; (ii) write or call or visit a Grainger branch near you; or (iii) call Customer Care (toll free) at 1-888-361-8649. In any case, you will need to provide, to the extent available, the purchase date, the original invoice number, the stock number, a description of the defect, and anything else specified in this Dayton One-Year Limited Warranty. You may be required to send the product in for inspection at your cost. You can follow up on the progress of inspections and corrections in the same ways. Title and risk of loss pass to buyer on delivery to common carrier, so if product was damaged in transit to you, file claim with carrier, not retailer, Grainger or Dayton. For warranty information for purchasers and/or delivery outside the United States, please use the following applicable contact information:

**Dayton Electric Mfg. Co.,
100 Grainger Parkway, Lake Forest, IL 60045 U.S.A.
or call +1-888-361-8649**

®
Dayton



Ventiladores Aspirantes de Transmisión por Correa para Servicios

Modelos

**488V75, 488V76, 488V77, 488V78, 488V79,
488V80, 488V81, 488V82, 488V83, 488V84**

®
Dayton

**POR FAVOR,
LEA Y GUARDE ESTAS
INSTRUCCIONES.**

**LEALAS CUIDADOSAMENTE ANTES
DE TRATAR DE MONTAR, INSTALAR,
OPERAR O DAR MANTENIMIENTO
AL PRODUCTO AQUI DESCRITO.**

**PROTEJASE USTED MISMO Y
A LOS DEMAS OBSERVANDO
TODA LA INFORMACION DE
SEGURIDAD. ¡EL NO CUMPLIR
CON LAS INSTRUCCIONES
PUEDE OCASIONAR DAÑOS,
TANTO PERSONALES COMO
A LA PROPIEDAD! GUARDE
ESTAS INSTRUCCIONES PARA
REFERENCIA EN EL FUTURO.**

**CONSULTE LA CUBIERTA
POSTERIOR PARA VER
LA INFORMACION DE
GARANTIA DE DAYTON Y OTRA
INFORMACION IMPORTANTE.**

Núm. de Modelo: _____

Núm. de Serie: _____

Fecha de Compra: _____

Formulario 5S6729 / Impreso en EE.UU.

04632 Versión 2 12/2018

© 2018 Dayton Electric Manufacturing Co.

Reservados todos los derechos

ANTES DE COMENZAR

⚠ ADVERTENCIA

La instalación, solución de problemas y el reemplazo de piezas sólo lo debe realizar personal calificado.



Requisitos eléctricos:

- Se debe revisar la capacidad de voltaje y amperaje del motor para verificar la compatibilidad con el suministro eléctrico antes de realizar la conexión eléctrica final. El cableado del suministro al ventilador debe estar protegido con fusibles en forma apropiada y en conformidad con los códigos eléctricos locales y nacionales.



Herramientas necesarias:

- Taladro
- Nivel
- Multímetro
- Cinta métrica
- Dispositivos para bloqueo y etiquetado
- Llaves hexagonales y Allen

DESEMBALAJE



Contenido:

- Dayton® Ventilador Aspirante de Transmisión por Correa para Servicios (1)
- Manual de Instrucciones de Operación y Lista de Piezas (1)



Inspección:

- Después de desembalar la unidad, inspeccione cuidadosamente si existen daños que se puedan haber producido durante el transporte. Revise si hay piezas sueltas, faltantes o dañadas. Se debe presentar una queja por daños de transporte a la empresa de transporte.
- Compruebe que ninguno de los pernos, tornillos, tornillos de fijación, etc. se haya soltado durante el transporte. Vuelva a apretarlos, según sea necesario. Gire la rueda del ventilador con la mano para asegurarse de que gire libremente.
- **Consulte las Instrucciones Generales de Seguridad en la página 2 y las Precauciones y Advertencias que se muestran.**



INSTRUCCIONES GENERALES DE SEGURIDAD

Los ventiladores aspirantes para servicio están diseñados para aplicaciones de extracción en cocinas comerciales y para aplicaciones industriales resistentes a las chispas, que requieren grandes volúmenes de aire a altas presiones estáticas. Las unidades son adecuadas para aplicaciones de retorno, suministro y extracción de aire por conductos. Todos los ventiladores aparecen en las listas de UL/cUL, Tema 762 (YZHW) y cumplen todos los requisitos estipulados en la norma NFPA 96 para las Operaciones de control de ventilación y de protección contra incendios de cocinas comerciales. Se ofrecen motores para ubicaciones peligrosas para muchas combinaciones de ventiladores monofásicos y trifásicos.

NOTA: El ventilador solo es permisible según la UL 762 cuando se instala fuera del edificio, el espiral debe quedar en posición de tiro hacia arriba para que drene la grasa en forma adecuada.

⚠ PELIGRO *No dependa de ningún interruptor como el único medio para desconectar la energía al momento de instalar o de realizar mantenimiento al ventilador. Siempre desconecte, bloquee y etiquete la fuente de energía antes de instalar o realizar mantenimiento. Si no se desconecta la fuente de energía, se puede provocar un incendio, descargas eléctricas o lesiones graves. El motor volverá a arrancar sin advertencia después que se active el protector térmico. No toque el motor mientras esté en funcionamiento; podría estar lo suficientemente caliente como para provocar lesiones.*

⚠ PELIGRO *No coloque partes del cuerpo ni objetos en el ventilador, o en los orificios o las transmisiones del motor mientras éste se encuentre conectado a la fuente de energía.*

⚠ ADVERTENCIA *No use este equipo en atmósferas explosivas.*

1. Lea y siga todas las instrucciones y marcas de precaución. Asegúrese de que la fuente de energía eléctrica cumpla los requisitos del equipo y los códigos locales.
2. Un técnico calificado debe realizar el montaje, la instalación y el mantenimiento de los ventiladores. Un electricista calificado debe realizar todo el trabajo eléctrico.
3. Siga todos los códigos eléctricos y de seguridad locales, al igual que el National Electrical Code (NEC) de EE. UU. y la Asociación Nacional de Protección contra Incendios (NFPA, por sus siglas en inglés), donde corresponda. Respete el Código Eléctrico Canadiense (CEC, por sus siglas en inglés) en Canadá.
4. El giro de la rueda es fundamental. Debe poder girar sin entrar en contacto ni rozar ningún objeto fijo.
5. La unidad debe estar conectada a tierra de manera adecuada y segura.
6. No gire la rueda del ventilador más rápido que las RPM máximas que se indican en el catálogo. Los ajustes a la velocidad del ventilador afectan significativamente la carga del motor. Si se cambian las RPM del ventilador, se debe verificar la corriente del motor para asegurarse de que no supere los amperios que se indican en la placa de identificación del motor.
7. No enrosque el cable de alimentación ni permita que entre en contacto con objetos filosos, aceite, grasa, superficies calientes ni productos químicos. Reemplace inmediatamente los cables dañados.
8. Asegúrese de que la fuente de energía esté en conformidad con los requisitos del equipo.
9. Nunca abra la puerta de acceso a un conducto con el ventilador en funcionamiento.

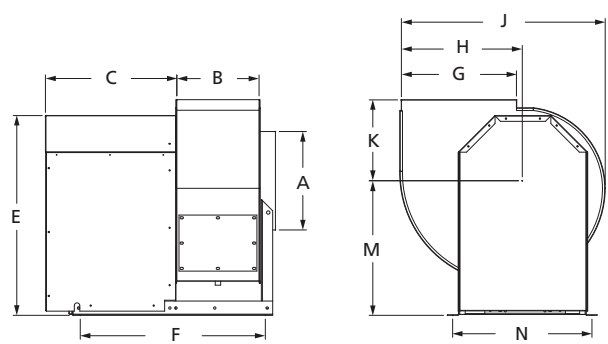
ESPECIFICACIONES

488V75, 488V76, 488V77, 488V78, 488V79, 488V80, 488V81, 488V82, 488V83, 488V84

Temp. de entrada máx.	149 °C
Lugar de montaje	Exterior (UL 762), Interior (UL 705)
Interruptor de desconexión NEMA 1 recomendado	1H400 (bipolar, 115/230 V, 2 HP máx.)
	1H401 (tripolar, 230 V, 7-1/2 HP máx.)
	1H401 (tripolar, 460 V, 10 HP máx.)
Interruptor de desconexión NEMA 4 recomendado	1H408 (bipolar, 115/230 V, 2 HP máx.)
	1H409 (tripolar, 230 V, 7-1/2 HP máx.)
	1H409 (tripolar, 460 V, 10 HP máx.)
Cumplimiento de normativas	UL/cUL 762, Asociación Internacional del Movimiento y Control de Aire (AMCA, por sus siglas en inglés)

Dimensiones (cm)

	488V75 488V76	488V77	488V78	488V79	488V80	488V81	488V82	488V83	488V84
A	27,9	32,7	36,0	40,0	44,0	48,7	53,3	59,3	65,3
B	21,6	25,4	27,7	30,5	33,7	37,1	40,6	45,1	49,3
C	39,4	39,4	42,5	47,0	49,3	55,9	60,3	61,0	63,5
E	56,5	56,5	62,9	69,9	76,2	84,5	91,8	105,4	116,2
F	52,5	55,0	57,8	62,4	73,0	83,2	90,5	88,6	92,7
G	28,4	33,0	36,4	40,6	44,5	49,1	53,8	59,8	66,0
H	29,2	33,9	37,1	41,1	45,1	49,7	54,4	60,3	66,3
J	50,8	59,2	64,9	71,9	78,7	86,9	94,9	105,4	115,7
K	27,1	30,0	32,0	34,4	36,8	39,6	42,5	46,2	49,8
M	38,4	38,4	42,2	47,0	51,8	56,8	62,2	73,0	80,0
N	40,9	40,6	44,9	50,8	56,7	59,4	65,1	71,8	80,0
Diám. de la rueda	28,3	31,1	34,3	38,1	41,9	46,4	56,5	56,5	62,2
Diám. del eje	1,9	2,5	2,5	3,0	3,0	3,0	3,7	3,7	3,7



E53236
MH12596 – Sólo para uso en exteriores en instalaciones que cumplan la norma UL 762.



Dayton Electric Mfg. Co. certifica que los ventiladores que aquí se muestran tienen licencia para llevar el sello AMCA. Los valores que se muestran se basan en pruebas y procedimientos realizados según la Publicación 211 de AMCA y cumplen los requisitos del Programa de certificación de valores de AMCA.

Figura 1

RENDIMIENTO

Modelo	HP	RPM	BHP Máx.	Suministro de aire en CFM a la presión estática que se muestra					
				0,25"	0,50"	0,75"	1,00"	2,00"	3,00"
488V75	1/4	1710	0,25	887	805	719	580	-	-
	1/3	1870	0,33	988	908	833	736	-	-
	1/2	2048	0,5	1097	1019	956	884	-	-
	3/4	2246	0,6	1215	1146	1083	1022	568	-
	1	2581	0,9	1414	1357	1294	1243	982	-
488V76	1/4	1400	0,15	899	777	633	-	-	-
	1/4	1670	0,25	1125	1012	911	799	-	-
	1/3	1833	0,33	1259	1149	1056	963	-	-
	1/2	2103	0,5	1471	1374	1288	1208	741	-
	3/4	2408	0,75	1705	1629	1543	1470	1186	-
	1	2600	1	1851	1787	1703	1632	1369	952
488V77	1/3	1622	0,33	1593	1464	1320	1162	-	-
	1/2	1863	0,5	1862	1756	1637	1511	673	-
	3/4	2132	0,75	2158	2071	1971	1866	1367	-
	1	2347	1	2393	2313	2229	2135	1724	1097
	1-1/2	2687	1,5	2763	2692	2622	2546	2209	1814
	2	2957	2	3055	2989	2925	2862	2565	2234
488V78	1/4	1258	0,25	1608	1411	1195	864	-	-
	1/3	1380	0,33	1797	1623	1432	1203	-	-
	1/2	1585	0,50	2105	1963	1807	1636	-	-
	3/4	1814	0,75	2444	2330	2196	2058	1335	-
	1	1996	1,00	2710	2608	2493	2370	1811	-
	1-1/2	2285	1,50	3132	3041	2951	2847	2399	1820
	2	2515	2,00	3467	3382	3300	3215	2820	2377
	3	2879	3,00	3992	3915	3843	3772	3446	3090
488V79	1/3	1157	0,33	2038	1802	1537	1178	-	-
	1/2	1329	0,50	2398	2205	1991	1756	-	-
	3/4	1521	0,75	2791	2633	2454	2265	1003	-
	1	1674	1,00	3100	2964	2805	2640	1818	-
	1-1/2	1917	1,50	3589	3469	3343	3203	2586	1648
	2	2110	2,00	3974	3863	3755	3633	3101	2433
	3	2415	3,00	4581	4481	4386	4291	3846	3350

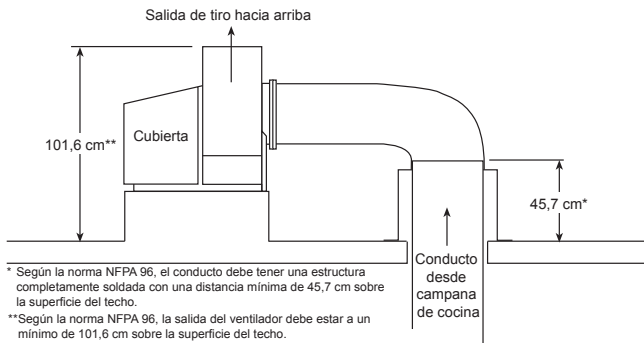
El rendimiento certificado es para instalaciones de tipo B: Entrada libre, salida canalizada. La potencia nominal (BHP) no incluye las pérdidas de transmisión. El rendimiento efectivo no considera los efectos de aditamentos (accesorios). El sello Certified Ratings (Niveles certificados) de AMCA se aplica sólo a niveles de rendimiento del aire.

Modelo	HP	RPM	BHP Máx.	Suministro de aire en CFM a la presión estática que se muestra					
				0,25"	0,50"	0,75"	1,00"	2,00"	3,00"
488V80	1/2	1134	0,50	2696	2439	2157	1820	-	-
	3/4	1298	0,75	3147	2936	2703	2449	-	-
	1	1429	1,00	3501	3320	3111	2894	1664	-
	1-1/2	1635	1,50	4054	3900	3729	3546	2713	-
	2	1800	2,00	4493	4352	4209	4046	3335	2338
	3	1919	2,42	4811	4677	4545	4398	3754	2948
	3	2060	3,00	5184	5057	4935	4808	4220	3558
	5	2393	4,70	6063	5948	5843	5738	5263	4741
488V81	1/2	957	0,50	3198	2920	2594	2103	-	-
	3/4	1095	0,75	3729	3497	3237	2933	-	-
	1	1206	1,00	4150	3944	3721	3475	-	-
	1-1/2	1380	1,50	4800	4625	4441	4244	3148	-
	2	1519	2,00	5314	5160	4996	4823	3985	2445
	3	1739	3,00	6126	5994	5853	5710	5066	4169
	5	2062	5,00	7308	7197	7087	6967	6464	5891
	488V82	3/4	940	0,75	4180	3878	3533	3077	-
1		1035	1,00	4657	4392	4096	3757	-	-
1-1/2		1185	1,50	5400	5174	4933	4671	3088	-
2		1304	2,00	5982	5781	5573	5344	4154	-
3		1493	3,00	6902	6732	6550	6367	5501	4202
5		1770	5,00	8240	8098	7953	7799	7148	6360
7-1/2		1900	6,18	8865	8733	8601	8459	7864	7191
488V83	3/4	787	0,75	4768	4358	3859	3150	-	-
	1	866	1,00	5319	4958	4551	4032	-	-
	1-1/2	992	1,50	6187	5883	5554	5189	1756	-
	2	1092	2,00	6865	6594	6307	5997	4198	-
	3	1250	3,00	7928	7699	7457	7201	5967	3728
	5	1482	5,00	9476	9287	9089	8885	7982	6795
488V84	1	750	1,00	6142	5634	5067	4333	-	-
	1-1/2	859	1,50	7171	6731	6275	5771	-	-
	2	945	2,00	7974	7574	7171	6742	4048	-
	3	1082	3,00	9231	8889	8539	8186	6447	-
	5	1283	5,00	11058	10779	10485	10189	8937	7264
	7-1/2	1468	7,49	12728	12486	12235	11978	10935	9755
	10	1550	8,81	13465	13236	13004	12760	11779	10704

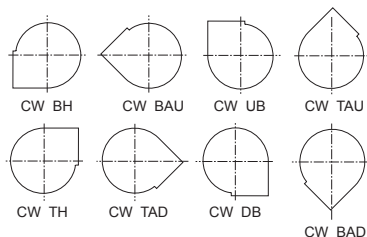
INSTRUCCIONES DE INSTALACION

⚠ ADVERTENCIA

La instalación, solución de problemas y el reemplazo de piezas sólo lo debe realizar personal calificado. Consulte y siga las recomendaciones de la norma NFPA 96. Las instrucciones de NFPA 96 sustituyen este documento.

**Figura 2**

- Este ventilador Dayton se ensambla y se envía en la posición de tiro hacia arriba. Si desea otra posición, consulte la Figura 3 (vista desde el lado de la transmisión) para conocer las posiciones de salida opcionales.

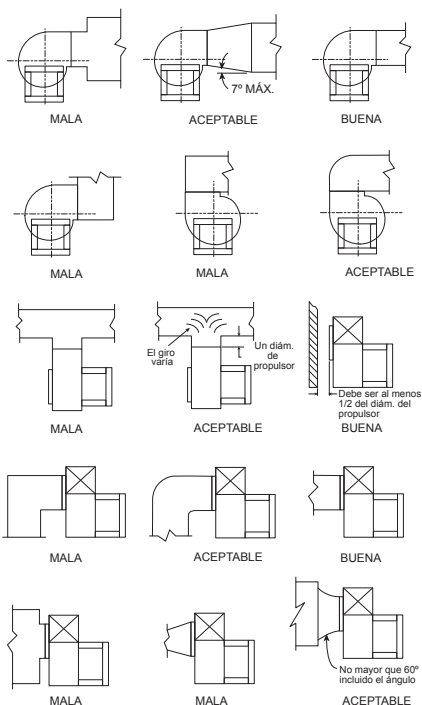
**Figura 3**

NOTA: Para las posiciones de salida superior angular hacia abajo, (TAD) tiro hacia abajo (DB) e inferior angular hacia abajo (BAD) se debe retirar una parte del bastidor.

NOTA: Si se cambia la posición de salida implicará volver a ubicar la puerta de acceso y la conexión de drenaje. La norma NFPA 96 exige que la conexión del drenaje se ubique en el punto más bajo del espiral para la eliminación del agua y la grasa. Además, la norma UL no permite que estos ventiladores se usen en la posición de tiro hacia abajo en aplicaciones de cocina o con grasa.

- Para girar el espiral deberá retirar un total de dieciséis sujetadores. Ocho sujetadores se ubican en el lado de la entrada y los otro ocho en el soporte vertical detrás de la cubierta.
 - Coloque el espiral en la posición deseada. Alinee los orificios y vuelva a fijarlos con los mismos pernos que retiró anteriormente.
- Ubique y prepare el área del techo para el ventilador. El ventilador debe sujetarse firmemente a la plataforma del tejado, a las vigas del tejado o a los soportes del equipo a través de los orificios de montaje provistos en los ángulos de la base. Si se usan los soportes del equipo, deben fijarse también al techo.

3. El flujo restringido o inestable en la entrada del ventilador puede causar la rotación previa del aire entrante o la carga irregular de la rueda del ventilador, lo que produce pérdidas grandes en el sistema, mayores niveles de ruido y fallas estructurales en la rueda del ventilador. La salida libre o el flujo turbulento en la red de conductos de salida también producirá pérdidas con efectos en el sistema. Los ejemplos en la Figura 4 muestran la disposición del sistema y las configuraciones de entrada y salida que pueden afectar el rendimiento del ventilador.



NOTA: El conducto de entrada debe ser recto para permitir diámetros de rueda de 6,4 cm antes de la conexión con el ventilador.

Figura 4

4. Acople el conducto de entrada al collar de entrada del ventilador. La norma NFPA 96 dispone que la conexión del conducto de entrada y el conducto estén completamente soldados en las aplicaciones de extracción para cocinas. Consulte nuevamente la Figura 2 para conocer las alturas mínimas de los conductos y de la salida del ventilador.
5. Vuelva a colocar la puerta de acceso usando los mismos pernos que retiró anteriormente.

NOTA: La conexión de drenaje no funcionará si se gira la carcasa a otra posición. En este caso, mantenga el tapón instalado para minimizar la pérdida de aire.

6. Gire la rueda con la mano para asegurarse de que no haya fricción y que gire libremente. Consulte la Figura 5 y el cuadro para obtener las dimensiones adecuadas del espacio radial y de superposición.
- Se puede lograr el centrado, soltando los pernos del cono de entrada para mover el cono de entrada o soltando los cojinetes para mover el eje.
 - Se puede ajustar la rueda y la superposición de los conos de entrada soltando los tornillos de fijación del buje de la rueda y moviendo la rueda a la posición deseada. Apriete todos los sujetadores y tornillos de fijación firmemente.

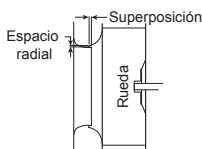


Figura 5

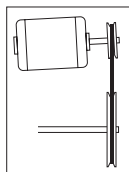
	Diámetro de la Rueda	
	28,3 a 41,9	46,4 a 62,2
Superposición (cm)	0,6	0,4
Espacio radial (cm)	1,0	0,4

MONTAJE DEL MOTOR Y DE LA POLEA

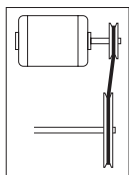
⚠ PRECAUCIÓN *Nunca ajuste el paso de las paletas de la rueda en terreno. Sólo los fabricantes deben cambiar el paso de las paletas.*

NOTA: Para las unidades que aparezcan en la lista de UL/cUL, el motor que se use con este ventilador se deberá designar como tal por Dayton®.

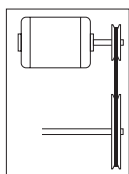
1. Fije el motor a la placa (las piezas metálicas son proporcionadas por otros). Los orificios se alinearán cuando el bastidor del motor (extremo del eje) esté a nivel con el borde de la placa del motor. Consulte la etiqueta del motor UL/cUL que está en la unidad.
2. Monte las poleas en los ejes y fíjelas con el tornillo de fijación. Verifique la correcta alineación de las poleas, consulte la Figura 6. Las poleas mal alineadas provocan un desgaste excesivo de la correa, vibraciones y ruidos.
3. Instale la correa y ajuste la tensión para permitir una deflexión de 0,15 mm por cada 1 cm de abertura al aplicar con el pulgar una presión moderada a la correa. Ajuste la correa usando los soportes de ajuste de la placa del motor como se muestra en la Figura 7. Demasiada tensión provocará un desgaste excesivo de los rodamientos y ruido. Una tensión muy leve provocará deslizamiento en el arranque y un desgaste irregular.



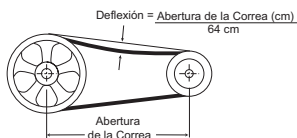
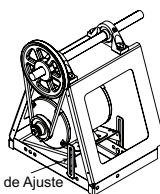
Incorrecto



Incorrecto



Correcto

Figura 6**Figura 7**

Soporte de Ajuste de la Placa del Motor

Figura 8

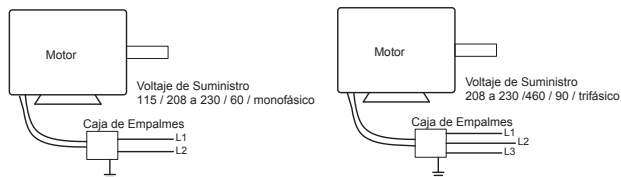
4. Ajuste las RPM en el nivel que desee con una polea de paso variable. Después del ajuste, se debe verificar el amperaje del motor para evitar su sobrecarga.

Conexión eléctrica

NOTA: Consulte la placa de identificación del motor para conocer los procedimientos de cableado. Consulte al fabricante del interruptor para obtener los procedimientos de instalación y cableado.

⚠ ADVERTENCIA *Para reducir los riesgos de descargas eléctricas, no conecte el funcionamiento de los circuitos a más de 150 V a tierra.*

1. El motor y el ventilador deben estar conectados a tierra de manera segura (en metal desnudo) en una conexión eléctrica a tierra adecuada, como una tubería de agua subterránea o un sistema de cable de conexión a tierra.
2. Conecte el motor en el voltaje que desee según el diagrama de cableado que se encuentra en el motor o consulte la Figura 9 para conocer el diagrama de cableado de conexiones.

**Figura 9**

OPERACION

1. Antes de arrancar u operar su nuevo ventilador Dayton®, revise que todos los sujetadores estén apretados. En particular, revise los tornillos de fijación del rodamiento en la rueda (y roldanas, si corresponde). Mientras se encuentre en la posición OFF (apagado), o antes de conectar el ventilador a la energía, gire la rueda del ventilador con la mano para asegurarse de que no entre en contacto con el orificio o cualquier obstáculo.
2. Encienda el ventilador y apáguelo inmediatamente para revisar el giro de la rueda con la flecha direccional en el compartimiento del motor.
 - a. El giro de la rueda es fundamental, ya que el giro incorrecto reducirá el rendimiento del aire, aumentará la carga del motor y posiblemente quemará el motor.
 - b. Retire la puerta de acceso.
 - c. Verifique el giro de la rueda activando momentáneamente la unidad y observe si el giro va en la misma dirección que el flujo de aire en la salida y si está en conformidad con la calcomanía de giro que se encuentra en el ventilador o consulte la Figura 10.

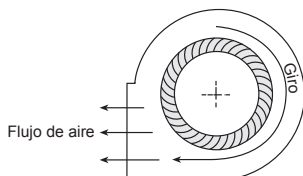


Figura 10

4. Al arrancar el ventilador, observe el funcionamiento y la presencia de cualquier ruido anormal.
5. Con el sistema a pleno funcionamiento, mida la entrada de corriente hacia el motor y compárela con la de la placa de identificación para determinar si el BHP funciona en condiciones de carga seguras.
6. Ajuste las RPM en el nivel que desee con una polea de paso variable. Después del ajuste, se debe verificar el amperaje del motor para evitar su sobrecarga.

IMPORTANTE: Ajuste (apriete) la tensión de la correa después de las primeras 24 horas de funcionamiento.

7. Mantenga las entradas y las vías de acceso al ventilador limpias y libres de obstrucción.

GUIA DE IDENTIFICACION DE PROBLEMAS

Sintoma	Causa(s) Posible(s)	Medida Correctiva
El ventilador no funciona	1. Suministro eléctrico	1. Verifique los fusibles y cortacircuitos. Verifique si existen interruptores apagados. Verifique que exista el voltaje de suministro correcto.
	2. Transmisión	2. Revise si existen correas rotas. Apriete las poleas sueltas.
	3. Motor	3. Asegúrese de que los caballos de fuerza del motor sean los correctos y que no se active el protector de sobrecargas.
Ruido o vibración excesiva	1. La rueda roza la entrada	1. Ajuste la rueda o el cono de entrada. Apriete el buje de la rueda o los collares del cojinete en el eje.
	2. Transmisión de la correa en V	2. Apriete las roldanas en el motor y en el eje del ventilador. Ajuste la tensión de la correa. Alinee las roldanas apropiadamente (consulte la página 8). Cambie las correas o las roldanas desgastadas.
	3. Cojinetes	3. Reemplace los cojinetes defectuosos. Lubrique los cojinetes. Apriete los collares y sujetadores.
	4. Desequilibrio de la rueda	4. Limpie la suciedad de la rueda. Verifique el equilibrio de la rueda, vuelva a equilibrarla en su lugar si fuera necesario.
Flujo de aire insuficiente	1. Ventilador	1. Compruebe que la rueda gire correctamente. Aumente la velocidad del ventilador.*
	2. Sistema de conductos	2. Consulte la página 7, Figura 4.
Demasiado flujo de aire	1. Ventilador	1. Cambie la medida de la red de conductos. La puerta de acceso, los filtros o las rejillas no están instalados.
	2. Sistema de conductos	2. Cambie las obstrucciones del sistema. Use el factor de corrección para ajustar la temperatura y la altura. Cambie la medida de la red de conductos. Limpie los filtros y las bobinas. Ajuste la velocidad del ventilador.*
Presión estática incorrecta	El sistema de conductos tiene más o menos restricciones que lo que se esperaba	Verifique el giro de la rueda. Ajuste la velocidad del ventilador.
Sobrecalentamiento de los rodamientos	1. Lubricación	1. Verifique si existe grasa excesiva o insuficiente en los rodamientos.
	2. Mecánico	2. Reemplace los rodamientos dañados. Afloje la tensión excesiva de la correa. Alinee los rodamientos. Verifique que el eje no esté doblado.
Sobrecarga o sobrecalentamiento del motor	1. Ventilador	1. Verifique el giro de la rueda. Disminuya la velocidad del ventilador.
	2. Sistema de conductos	2. Cambie la medida de la red de conductos. Verifique el funcionamiento adecuado de los cortafuegos frontales y de derivación. Revise los filtros y las puertas de acceso.

* Revise siempre el amperaje del motor y compárelo con la capacidad que se indica en la placa de identificación. La velocidad excesiva del ventilador puede sobrecargar el motor y provocar que se queme.

MANTENIMIENTO

⚠ ADVERTENCIA

Desconecte y bloquee la fuente de energía antes de realizar mantenimiento.

⚠ PRECAUCIÓN

La limpieza desigual de la rueda producirá una condición fuera de equilibrio que provocará vibraciones en el ventilador.

- Según el uso y la densidad del aire contaminado, se debe establecer un programa de inspección regular para limpiar la rueda del ventilador, la carcasa y las áreas circundantes.
- Cuando esté funcionando el ventilador, revise si existen ruidos anormales.
- Inspeccione de manera periódica y apriete los tornillos de fijación.
- Revise de manera periódica el desgaste y el apriete de las correas.

NOTA: Al reemplazar las correas, use unas del mismo tipo de las que se proporcionan con la unidad.

NOTA: Para el cambio de la correa, suelte las piezas metálicas de montaje del motor para permitir el retiro manual de la correa.

⚠ PRECAUCIÓN

No fuerce las correas para colocarlas o sacarlas. Ello puede causar que los cables se rompan, lo que lleva a una falla prematura de la correa.

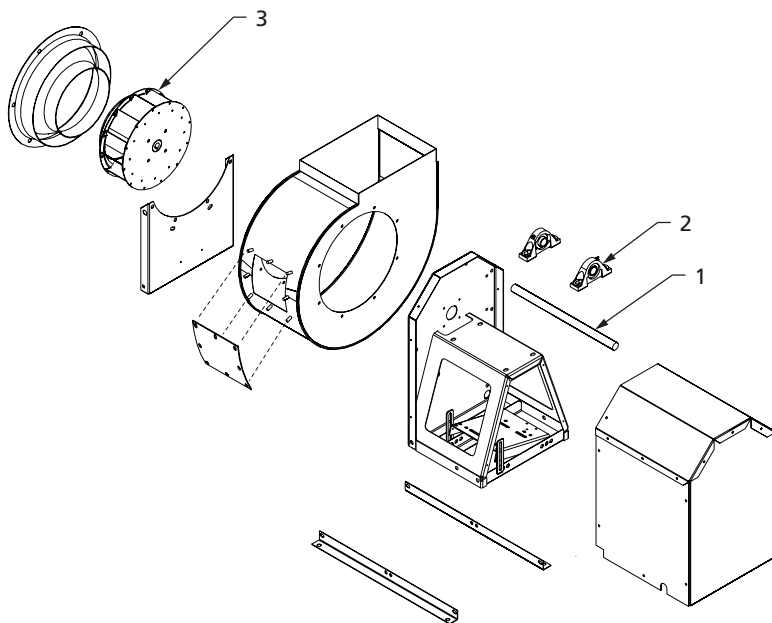
5. Todos los rodamientos del ventilador están lubricados previamente. Mantenga los rodamientos limpios y bien lubricados.

NOTA: Los rodamientos de chumacera sellados no requieren lubricación adicional.

Frecuencia de Relubricación Recomendada en Meses

RPM del Ventilador	Diámetro del Rodamiento (pulgadas)		RPM del Ventilador	Diámetro del Rodamiento (pulgadas)	
	1/2 a 1	3/4 a 1-1/2		1/2 a 1	3/4 a 1-1/2
Para 250	12	12	1500	12	5
500	12	12	2000	12	3
750	12	9	2500	12	2
1000	12	7	3000	12	2
1250	12	6	3500	12	1
Cantidad de Inyecciones	4	8	Cantidad de Inyecciones	4	8

- Se debe agregar el lubricante mientras gira el eje, hasta que vea que los rodamientos purgan grasa limpia. El intervalo de lubricación puede modificarse en función de la condición de la grasa purgada.
 - Para las condiciones que incluyen: temperaturas altas, humedad, suciedad o vibración excesiva, consulte al fabricante para conocer el intervalo de lubricación específica según su aplicación.
 - El lubricante debe ser una grasa de compuesto de litio de buena calidad en conformidad con el grado 2 de NLGI. El fabricante recomienda Mobilux EP-2.
 - El uso de lubricantes sintéticos aumentará aproximadamente 3 veces los intervalos de lubricación.
6. Siga las instrucciones del fabricante del motor para su lubricación.
 7. Para aplicaciones críticas, debe tener un motor y correas de repuesto disponibles.

ILUSTRACION DE LAS PARTES DE REPARACION PARA VENTILADORES ASPIRANTES PARA SERVICIOS

**Para Obtener Partes de Reparación
en México llame al 001-800-527-2331
en EE.UU. llame al 1-800-Grainger**

24 horas al día, 365 días al año

Por favor proporcione la siguiente información:

-Número de modelo

-Número de serie (si lo tiene)

-Descripción de la parte y número que le corresponde en la lista de partes

LISTA DE PARTES DE REPARACION PARA VENTILADORES ASPIRANTES PARA SERVICIOS

N.º de ref.	Descripción	Número de Pieza para Modelos:					Cantidad
		488V76	488V78	488V80	488V82	488V84	
1	Eje	21DT19	21DR22	493X37	493X39	493X40	1
2	Cojinetes	21DW66	21DT70	493X41	493X41	493X42	2
3	Rueda	493X58	493X50	493X52	493X54	493X56	1
N.º de ref.	Descripción	Número de Pieza para Modelos:					Cantidad
		488V75	488V77	488V79	488V81	488V83	
1	Eje	21DT19	493X35	493X36	493X38	493X40	1
2	Cojinetes	21DW66	21DT70	493X41	493X41	493X42	2
3	Rueda	493X57	493X49	493X51	493X53	493X55	1

GARANTIA LIMITADA DE DAYTON POR UN AÑO

GARANTIA LIMITADA DE DAYTON POR UN AÑO. Dayton Electric Mfg. Co. ("Dayton") le garantiza al usuario original que todos los modelos de los productos Dayton® tratados en este manual están libres de defectos en la mano de obra o el material, cuando se les somete a uso normal, por un año a partir de la fecha de compra. Si el producto Dayton es parte de un juego, sólo la parte defectuosa está sujeta a esta garantía. Cualquier producto o parte que se halle defectuoso, ya sea en el material o en la mano de obra, y sea devuelto (con los costos de envío pagados por adelantado) a un centro de servicio autorizado designado por Dayton o por una entidad designada por Dayton, será reparado o reemplazado (no existe otra posibilidad) por un producto o parte nuevo o reacondicionado de igual uso o se le reembolsará el costo total, según lo determine Dayton o una entidad designada por Dayton, libre de costo. Para obtener información sobre los procedimientos de reclamo cubiertos en la garantía limitada, vea la sección "Servicio de Garantía" que aparece más adelante. Se anulará esta garantía si se detecta evidencia de mal uso, reparación defectuosa, instalación defectuosa, abuso o modificación. Esta garantía no cubre desgaste y ruptura normal de los productos Dayton o parte de los mismos, o productos o partes de los mismos que se pueden utilizar durante uso normal. Esta garantía limitada les otorga a los compradores derechos legales específicos y también puede usted tener otros derechos que varíen de jurisdicción a jurisdicción.

EXCLUSIÓN DE RESPONSABILIDAD DE LA GARANTÍA Y LÍMITES DE RESPONSABILIDAD RELACIONADOS A TODOS LOS CLIENTES PARA TODOS LOS PRODUCTOS

LÍMITES DE RESPONSABILIDAD. EN LA MEDIDA EN QUE LAS LEYES APLICABLES LO PERMITAN, LA RESPONSABILIDAD DE DAYTON POR LOS DAÑOS EMERGENTES O INCIDENTALES ESTA EXPRESAMENTE EXCLUIDA. LA RESPONSABILIDAD DE DAYTON EXPRESAMENTE ESTA LIMITADA Y NO PUEDE EXCEDER EL PRECIO DE COMPRA PAGADO POR EL ARTICULO.

EXCLUSIÓN DE RESPONSABILIDAD DE LA GARANTÍA. DAYTON SE HA ESFORZADO DILIGENTEMENTE PARA PROPORCIONAR INFORMACION E ILUSTRACIONES APROPIADAS SOBRE EL PRODUCTO EN ESTE MANUAL; SIN EMBARGO, ESTA INFORMACION Y LAS ILUSTRACIONES TIENEN COMO UNICO PROPOSITO LA IDENTIFICACION DEL PRODUCTO Y NO EXPRESAN NI IMPLICAN GARANTIA DE QUE LOS PRODUCTOS SEAN VENDIBLES O ADECUADOS PARA UN PROPOSITO EN PARTICULAR NI QUE SE AJUSTAN NECESARIAMENTE A LAS ILUSTRACIONES O DESCRIPCIONES. CON EXCEPCION DE LO QUE SE ESTABLECE A CONTINUACION, DAYTON NO HACE NI AUTORIZA NINGUNA GARANTIA O AFIRMACION DE HECHO, EXPRESA O IMPLICITA, QUE NO SEA ESTIPULADA EN LA "GARANTIA LIMITADA" ANTERIOR.

ADAPTACION DEL PRODUCTO. MUCHAS JURISDICCIONES TIENEN CODIGOS O REGULACIONES SOBRE LA VENTA, EL DISEÑO, LA INSTALACION Y/O EL USO DE PRODUCTOS PARA CIERTAS APLICACIONES; DICHAS LEYES PUEDEN VARIAR DE UN AREA A OTRA. SI BIEN SE TRATA DE QUE LOS PRODUCTOS DAYTON CUMPLAN CON DICHS CODIGOS, NO SE PUEDE GARANTIZAR SU CONFORMIDAD Y NO SE PUEDE HACER RESPONSABLE POR LA FORMA EN QUE SE INSTALE O USE SU PRODUCTO. ANTES DE COMPRAR Y USAR EL PRODUCTO, REVISE LA INFORMACION DE SEGURIDAD/ESPECIFICACIONES, Y TODOS LOS CODIGOS Y REGULACIONES NACIONALES Y LOCALES APLICABLES, Y ASEGURESE QUE EL PRODUCTO, LA INSTALACION Y EL USO LOS CUMPLAN.

CONSUMIDOR SOLAMENTE. CIERTOS ASPECTOS DE LIMITE DE RESPONSABILIDAD NO SE APLICAN A PRODUCTOS AL CONSUMIDOR; ES DECIR (A) ALGUNAS JURISDICCIONES NO PERMITEN LA EXCLUSIÓN NI LIMITACION DE DAÑOS INCIDENTALES O CONSECUENTES, DE MODO QUE LAS LIMITACIONES O EXCLUSIONES ANTERIORES QUIZAS NO APLIQUEN EN SU CASO; (B) ASIMISMO, ALGUNAS JURISDICCIONES NO PERMITEN LIMITAR EL PLAZO DE UNA GARANTIA IMPLICITA, POR LO TANTO, LA LIMITACION ANTERIOR QUIZAS NO APLIQUE EN SU CASO; Y (C) POR LEY, MIENTRAS LA GARANTIA LIMITADA ESTE VIGENTE NO PODRAN EXCLUIRSE NI LIMITARSE EN MODO ALGUNO NINGUNA GARANTIA IMPLICITA DE COMERCIALIZACION O DE IDONEIDAD PARA UN PROPOSITO EN PARTICULAR APLICABLES A LOS PRODUCTOS AL CONSUMIDOR ADQUIRIDOS POR ESTE.

ESTA GARANTIA LIMITADA APLICA UNICAMENTE A LOS COMPRADORES EN LOS ESTADOS UNIDOS PARA ENTREGA EN LOS ESTADOS UNIDOS.

SERVICIO DE GARANTIA

Para obtener un servicio de garantía si compró un producto cubierto directamente de W.W. Grainger, Inc. ("Grainger"), (i) escriba, llame o visite la sucursal local de Grainger donde compró el producto u otra sucursal de Grainger cerca de usted (visite www.grainger.com para obtener una lista de las sucursales); o (ii) comuníquese con Grainger visitando www.grainger.com y haga clic en el enlace "Contact Us" en la parte superior de la página, luego haga clic en enlace "Email us"; o (iii) llame a Servicio al Cliente (libre de cargo) al 1-888-361-8649. Para obtener servicio de garantía si compró el producto cubierto a través de otro distribuidor o minorista, (i), visite www.grainger.com para el Servicio de Garantía; (ii) escriba, llame o visite la sucursal de Grainger cerca de usted; o (iii) llame a Servicio al Cliente (libre de cargo) al 1-888-361-8649. En cualquiera de los casos, necesitará proporcionar, cuando esté disponible, la fecha de compra, el número de factura original, el número de pieza, una descripción del defecto, y cualquier otra información que especifique esta Garantía limitada de Dayton por un año. Se le podría solicitar que envíe el producto a su propio coste para que lo inspeccionen. Puede hacer un seguimiento de los avances de las inspecciones y medidas correctivas de la misma forma. El título y el riesgo de pérdida pasa del comprador en el momento de la entrega a la compañía de transporte, por lo que si el producto sufre daños durante el transporte, presente un reclamo a la compañía transportista, no al minorista, Grainger o Dayton. Para información sobre la garantía relacionada a los compradores y/o entregas fuera de los Estados Unidos, utilice la siguiente información de contacto aplicable.

**Dayton Electric Mfg. Co.,
100 Grainger Parkway, Lake Forest, IL 60045 EE.UU.
o llame al +1-888-361-8649**

®
Dayton



Soufflantes d'extraction utilitaires à courroie

Modèles

**488V75, 488V76, 488V77, 488V78, 488V79,
488V80, 488V81, 488V82, 488V83, 488V84**



Dayton

**LIRE ET CONSERVER CES
INSTRUCTIONS.
IL FAUT LES LIRE ATTENTIVEMENT
AVANT DE COMMENCER À
ASSEMBLER, INSTALLER, FAIRE
FONCTIONNER OU ENTRETENIR
L'APPAREIL DÉCRIT.**

**POUR SE PROTÉGER ET PROTÉGER
AUTRUI, OBSERVER TOUTES LES
INFORMATIONS SUR LA SÉCURITÉ.
NÉGLIGER D'APPLIQUER CES
INSTRUCTIONS PEUT CAUSER
DES BLESSURES ET/OU DES
DOMMAGES MATÉRIELS!
CONSERVER CES INSTRUCTIONS
POUR CONSULTATION ULTÉRIEURE.**

**SE REPORTER AU DOS DE LA
PRÉSENTE BROCHURE POUR LES
INFORMATIONS CONCERNANT LA
GARANTIE DAYTON ET D'AUTRES
INFORMATIONS IMPORTANTES.**

N° de modèle : _____

N° de série : _____

Date d'achat : _____

AVANT DE COMMENCER

AVERTISSEMENT

La pose, le dépannage et le remplacement de pièces doivent être effectués exclusivement par du personnel qualifié.



Alimentation électrique :

- La compatibilité de la tension et l'intensité nominales du moteur avec l'alimentation électrique doit être vérifiée avant le raccordement électrique définitif. Le câblage d'alimentation de la soufflante doit être correctement protégé par un disjoncteur et conforme aux codes de l'électricité en vigueur.



Outils nécessaires :

- Perceuse
- Niveau
- Multimètre
- Mètre ruban
- Verrouillage-étiquetage
- Clés Allen/plates

DÉBALLAGE



Contenu :

- Soufflante d'extraction utilitaire à courroie Dayton® (1)
- Manuel d'utilisation et de pièces détachées (1)



Contrôler :

- Après avoir déballé l'appareil, vérifier l'absence de tout dommage éventuellement causé par le transport. Vérifier qu'il n'y a pas de pièces desserrées, manquantes ou endommagées. Les réclamations pour dommages dus au transport sont à adresser au transporteur.
- Vérifier que les boulons, vis, vis de calage, etc. ne se sont pas desserrés durant le transport. Resserrer le cas échéant. Actionner la turbine à la main pour s'assurer qu'elle tourne librement.
- **Voir les instructions générales de sécurité à la page 2 et les rubriques « Avertissement » et « Attention » comme sur l'illustration.**



INFORMATIONS GÉNÉRALES SUR LA SÉCURITÉ

Les soufflantes d'extraction utilitaires sont conçues pour l'extraction en cuisine commerciale ou des applications industrielles anti-déflagrantes nécessitant d'importants volumes d'air sous haute pression statique. Ces appareils conviennent aux installations à gaines d'évacuation, d'arrivée et de retour d'air. Toutes les soufflantes sont homologuées UL/cUL Sujet 762 (YZHW) et conformes à toutes les exigences de la norme NFPA 96 relative à la ventilation et la protection incendie des cuisines commerciales. Des moteurs pour zone dangereuse sont proposés pour de nombreuses combinaisons de soufflante mono- et triphasées.

REMARQUE : La soufflante est admissible à l'homologation UL 762 uniquement si elle est montée à l'extérieur du bâtiment, la volute doit rester en position de reflux ascendant pour assurer un bon drainage de la graisse.

⚠ DANGER *Ne pas dépendre d'un interrupteur comme unique moyen de coupure de l'alimentation lors de l'installation ou de l'entretien de la soufflante. Pour écarter les risques d'incendie, de choc électrique ou de blessure grave, veiller à toujours débrancher, verrouiller et étiqueter la source de courant avant l'installation ou l'entretien. Le moteur redémarre sans avertir après déclenchement de la protection thermique. Ne pas toucher le moteur en marche, il peut être assez chaud pour causer des lésions.*

⚠ DANGER *Ne pas placer de parties du corps ni d'objets dans la soufflante, les ouvertures du moteur ou l'entraînement si l'appareil est raccordé à une source de courant.*

⚠ AVERTISSEMENT *Ne pas utiliser ce matériel dans des atmosphères explosives.*

1. Lire et respecter toutes les instructions et marques de mise en garde. S'assurer que la source d'alimentation est conforme aux exigences pour le matériel et à la réglementation en vigueur.
2. Les soufflantes doivent être assemblées, posées et entretenues par un technicien qualifié. Confier tous les travaux d'électricité à un électricien qualifié.
3. Aux États-Unis, respecter tous les codes d'électricité et de sécurité en vigueur, ainsi que le National Electrical Code (NEC) et les règles de la National Fire Protection Agency (NFPA), le cas échéant. Au Canada, respecter le Code canadien de l'électricité.
4. La bonne rotation de la turbine est essentielle. Elle doit tourner librement sans heurter ni frotter de pièce fixe.
5. L'appareil doit être correctement et solidement relié à la terre.
6. Ne pas faire tourner la turbine plus vite que le régime maximal indiqué dans le catalogue. Les réglages de la vitesse de la turbine ont un effet notable sur la charge du moteur. Si la vitesse de rotation de la turbine est modifiée, contrôler l'intensité de courant du moteur pour s'assurer qu'elle ne dépasse pas l'intensité nominale figurant sur la plaque signalétique du moteur.
7. Ne pas plier le câble d'alimentation ni le laisser venir au contact d'objets coupants, d'huile, de graisse, de surfaces chaudes ou de produits chimiques. Changer immédiatement tout cordon endommagé.
8. S'assurer que la source d'alimentation est conforme aux exigences pour le matériel.
9. Ne jamais ouvrir le capot d'accès d'une gaine alors que le ventilateur est en marche.

CARACTÉRISTIQUES

488V75, 488V76, 488V77, 488V78, 488V79, 488V80, 488V81, 488V82, 488V83, 488V84

Temp. adm. max.	150 °C
Emplacement de pose	Extérieur (UL 762), intérieur (UL 705)
Sectionneur NEMA 1 recommandé	1H400 (bipolaire, 115/230 V, 2 HP maxi)
	1H401 (tripolaire, 230 V, 7-1/2 HP maxi)
	1H401 (tripolaire, 460 V, 10 HP maxi)
Sectionneur NEMA 4 recommandé	1H408 (bipolaire, 115/230 V, 2 HP maxi)
	1H409 (tripolaire, 230 V, 7-1/2 HP maxi)
	1H409 (tripolaire, 460 V, 10 HP maxi)
Conformité réglementaire	UL/cUL 762, AMCA Air

Dimensions (cm)

	488V75 488V76	488V77	488V78	488V79	488V80	488V81	488V82	488V83	488V84
A	27,9	32,7	36,0	40,0	44,0	48,7	53,3	59,3	65,3
B	21,6	25,4	27,7	30,5	33,7	37,1	40,6	45,1	49,3
C	39,4	39,4	42,5	47,0	49,3	55,9	60,3	61,0	63,5
E	56,5	56,5	62,9	69,9	76,2	84,5	91,8	105,4	116,2
F	52,5	55,0	57,8	62,4	73,0	83,2	90,5	88,6	92,7
G	28,4	33,0	36,4	40,6	44,5	49,1	53,8	59,8	66,0
H	29,2	33,9	37,1	41,1	45,1	49,7	54,4	60,3	66,3
J	50,8	59,2	64,9	71,9	78,7	86,9	94,9	105,4	115,7
K	27,1	30,0	32,0	34,4	36,8	39,6	42,5	46,2	49,8
M	38,4	38,4	42,2	47,0	51,8	56,8	62,2	73,0	80,0
N	40,9	40,6	44,9	50,8	56,7	59,4	65,1	71,8	80,0
Dia. turbine	28,3	31,1	34,3	38,1	41,9	46,4	56,5	56,5	62,2
Dia. arbre	1,9	2,5	2,5	3,0	3,0	3,0	3,7	3,7	3,7

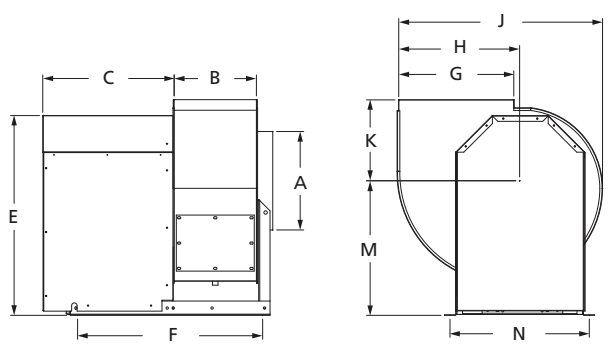


Figure 1



E53236
MH12596 – Pour utilisation extérieure
uniquement dans les installations UL 762



Dayton Electric Mfg. Co. certifie que les soufflantes décrites aux présentes sont autorisées à porter le sceau de l'AMCA. Les caractéristiques indiquées ici reposent sur des essais et procédures effectués conformément à la Publication 211 de l'AMCA et répondent aux exigences du programme de certification des caractéristiques de l'AMCA.

PERFORMANCES

Modèle	HP	tr/min	BHP maxi	Débit d'air (pi ³ /min) à la pression statique indiquée					
				0,25"	0,50"	0,75"	1,00"	2,00"	3,00"
488V75	1/4	1710	0,25	887	805	719	580	-	-
	1/3	1870	0,33	988	908	833	736	-	-
	1/2	2048	0,5	1097	1019	956	884	-	-
	3/4	2246	0,6	1215	1146	1083	1022	568	-
	1	2581	0,9	1414	1357	1294	1243	982	-
488V76	1/4	1400	0,15	899	777	633	-	-	-
	1/4	1670	0,25	1125	1012	911	799	-	-
	1/3	1833	0,33	1259	1149	1056	963	-	-
	1/2	2103	0,5	1471	1374	1288	1208	741	-
	3/4	2408	0,75	1705	1629	1543	1470	1186	-
	1	2600	1	1851	1787	1703	1632	1369	952
488V77	1/3	1622	0,33	1593	1464	1320	1162	-	-
	1/2	1863	0,5	1862	1756	1637	1511	673	-
	3/4	2132	0,75	2158	2071	1971	1866	1367	-
	1	2347	1	2393	2313	2229	2135	1724	1097
	1-1/2	2687	1,5	2763	2692	2622	2546	2209	1814
	2	2957	2	3055	2989	2925	2862	2565	2234
488V78	1/4	1258	0,25	1608	1411	1195	864	-	-
	1/3	1380	0,33	1797	1623	1432	1203	-	-
	1/2	1585	0,50	2105	1963	1807	1636	-	-
	3/4	1814	0,75	2444	2330	2196	2058	1335	-
	1	1996	1,00	2710	2608	2493	2370	1811	-
	1-1/2	2285	1,50	3132	3041	2951	2847	2399	1820
	2	2515	2,00	3467	3382	3300	3215	2820	2377
	3	2879	3,00	3992	3915	3843	3772	3446	3090
488V79	1/3	1157	0,33	2038	1802	1537	1178	-	-
	1/2	1329	0,50	2398	2205	1991	1756	-	-
	3/4	1521	0,75	2791	2633	2454	2265	1003	-
	1	1674	1,00	3100	2964	2805	2640	1818	-
	1-1/2	1917	1,50	3589	3469	3343	3203	2586	1648
	2	2110	2,00	3974	3863	3755	3633	3101	2433
	3	2415	3,00	4581	4481	4386	4291	3846	3350

Valeurs certifiées pour une installation de type B : admission libre, refoulement par gaine. La valeur de puissance (BHP) ne comprend pas les pertes de transmission. Les valeurs indiquées ne tiennent pas compte des effets des équipements connexes (accessoires). Le sceau de certification des caractéristiques de l'AMCA s'applique uniquement aux valeurs de circulation d'air.

Modèle	HP	tr/min	BHP maxi	Débit d'air (pi ³ /min) à la pression statique indiquée					
				0,25"	0,50"	0,75"	1,00"	2,00"	3,00"
488V80	1/2	1134	0,50	2696	2439	2157	1820	-	-
	3/4	1298	0,75	3147	2936	2703	2449	-	-
	1	1429	1,00	3501	3320	3111	2894	1664	-
	1-1/2	1635	1,50	4054	3900	3729	3546	2713	-
	2	1800	2,00	4493	4352	4209	4046	3335	2338
	3	1919	2,42	4811	4677	4545	4398	3754	2948
	3	2060	3,00	5184	5057	4935	4808	4220	3558
	5	2393	4,70	6063	5948	5843	5738	5263	4741
488V81	1/2	957	0,50	3198	2920	2594	2103	-	-
	3/4	1095	0,75	3729	3497	3237	2933	-	-
	1	1206	1,00	4150	3944	3721	3475	-	-
	1-1/2	1380	1,50	4800	4625	4441	4244	3148	-
	2	1519	2,00	5314	5160	4996	4823	3985	2445
	3	1739	3,00	6126	5994	5853	5710	5066	4169
	5	2062	5,00	7308	7197	7087	6967	6464	5891
	488V82	3/4	940	0,75	4180	3878	3533	3077	-
1		1035	1,00	4657	4392	4096	3757	-	-
1-1/2		1185	1,50	5400	5174	4933	4671	3088	-
2		1304	2,00	5982	5781	5573	5344	4154	-
3		1493	3,00	6902	6732	6550	6367	5501	4202
5		1770	5,00	8240	8098	7953	7799	7148	6360
7-1/2		1900	6,18	8865	8733	8601	8459	7864	7191
488V83		3/4	787	0,75	4768	4358	3859	3150	-
	1	866	1,00	5319	4958	4551	4032	-	-
	1-1/2	992	1,50	6187	5883	5554	5189	1756	-
	2	1092	2,00	6865	6594	6307	5997	4198	-
	3	1250	3,00	7928	7699	7457	7201	5967	3728
	5	1482	5,00	9476	9287	9089	8885	7982	6795
488V84	1	750	1,00	6142	5634	5067	4333	-	-
	1-1/2	859	1,50	7171	6731	6275	5771	-	-
	2	945	2,00	7974	7574	7171	6742	4048	-
	3	1082	3,00	9231	8889	8539	8186	6447	-
	5	1283	5,00	11058	10779	10485	10189	8937	7264
	7-1/2	1468	7,49	12728	12486	12235	11978	10935	9755
	10	1550	8,81	13465	13236	13004	12760	11779	10704

INSTRUCTIONS D'INSTALLATION



AVERTISSEMENT La pose, le dépannage et le remplacement de pièces doivent être effectués exclusivement par du personnel qualifié. Consulter et respecter les dispositions de NFPA 96. Les instructions de NFPA 96 ont priorité sur ce document.

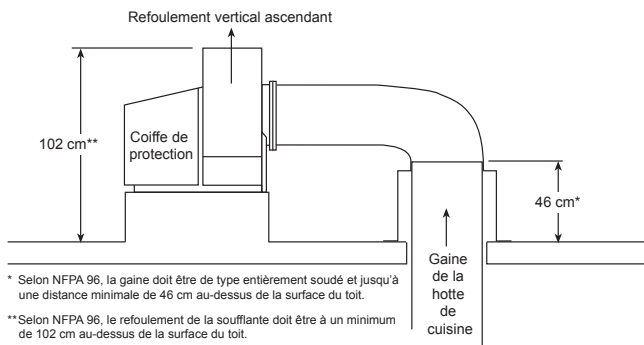


Figure 2

1. Cette soufflante Dayton est assemblée et livrée en position de refolement ascendant. Pour changer d'orientation, voir les positions de décharge possibles à la Figure 3 (vues depuis le côté moteur).

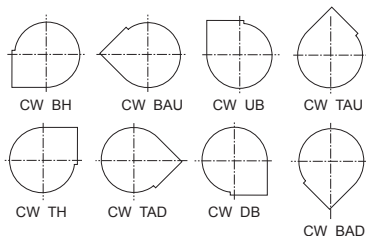


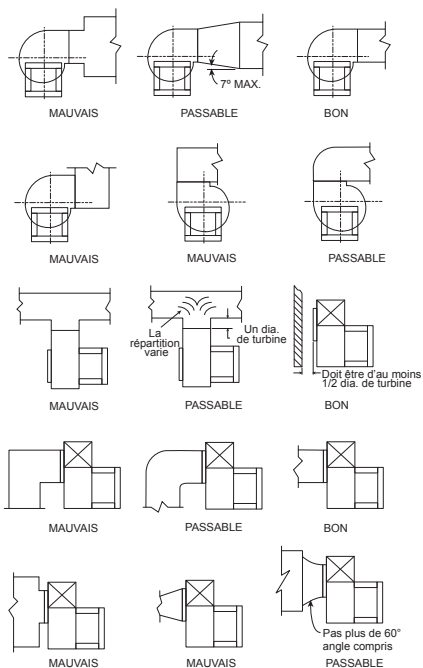
Figure 3

REMARQUE : Pour les positions de refolement haut incliné descendant (TAD), vertical descendant (DB) et bas incliné descendant (BAD), une partie de la cornière du bâti doit être supprimée.

REMARQUE : La modification de la position de refolement change l'emplacement du volet d'accès et du raccord de drainage. NFPA 96 prévoit que le raccord de drainage soit placé au point le plus bas de la volute pour l'évacuation de l'eau et de la graisse. En outre, UL ne permet pas l'utilisation de ces soufflantes dans les positions de refolement descendant pour les applications de cuisines ou d'extraction grasse.

- a. Le pivotement de la volute nécessite la dépose de seize vis au total. Huit vis sont placées sur le côté admission et les huit autres sur le haut support vertical derrière la coiffe de protection.
 - b. Placer la volute dans la position souhaitée. Aligner les trous et rattacher avec les vis déposées précédemment.
2. Repérer et préparer la surface du toit pour la soufflante. La soufflante doit être solidement fixée à la surface du toit, aux solives du toit ou à des supports de matériel à travers les trous de fixation prévus dans les cornières de socle. Si des supports sont utilisés, ils doivent eux-même être fixés au toit.

3. Un débit restreint ou instable à l'admission de la soufflante peut provoquer une pré-rotation de l'air entrant ou une charge irrégulière de la turbine, produisant d'importantes pertes du système, des niveaux sonores accrus, voire une défaillance mécanique de la turbine. Un refoulement libre ou un écoulement turbulent dans la gaine de refoulement produit également des pertes d'effet système. La Figure 4 présente des exemples d'agencement du système et de configurations d'admission et de refoulement susceptibles d'altérer les performances de la soufflante.



REMARQUE : La gaine d'admission doit être rectiligne sur un minimum de 2,5 diamètres de turbine avant son raccordement à la soufflante.

Figure 4

4. Attacher la gaine d'admission au collier d'admission de la soufflante. NFPA 96 prévoit que la gaine et le raccord de gaine d'admission soient complètement soudés dans les applications d'extraction de cuisine. Voir les hauteurs minimales de gaine et de refoulement de soufflante à la Figure 2.

5. Remettre le volet d'accès en place avec les vis déposées précédemment.

REMARQUE : Le raccord de drainage ne fonctionne plus si le carter est placé dans une autre position. Dans ce cas, laisser le bouchon en place pour minimiser les pertes d'air.

6. Faire tourner la turbine à la main pour vérifier qu'elle ne frotte pas et qu'elle tourne librement. Voir les dimensions correctes de chevauchement et d'espace radial dans le tableau de la Figure 5.
- Pour centrer, desserrer les boulons du pavillon d'admission pour déplacer le pavillon ou desserrer les paliers pour déplacer l'arbre.
 - Pour ajuster le chevauchement de la turbine et du pavillon d'admission, desserrer les vis de calage du moyeu de turbine et déplacer la turbine jusqu'à la position souhaitée. Bien serrer toute la visserie.

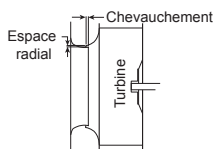


Figure 5

	Diamètre de turbine	
	28,3 a 41,9	46,4 a 62,2
Chevauchement (cm)	0,6	0,4
Espace radial (cm)	1,0	0,4

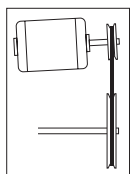
POSE DU MOTEUR ET DES POULIES

⚠ ATTENTION

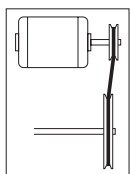
Ne jamais ajuster le pas des ailettes de turbine sur le terrain. Le pas ne peut être modifié que par le fabricant.

REMARQUE : Pour les appareils homologués UL/cUL, le moteur utilisé doit être désigné comme tel par Dayton®.

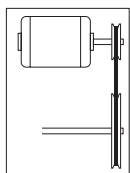
1. Fixer le moteur sur la platine (visserie non fournie). Les trous s'alignent lorsque la carcasse du moteur (côté arbre) est au ras du rebord de la platine. Voir l'étiquette moteur UL/cUL apposée sur l'appareil.
2. Poser les poulies sur les arbres et fixer avec une vis de calage. Contrôler le bon alignement des poulies, voir Figure 6. Le mauvais alignement des poulies provoque l'usure de la courroie, des vibrations et du bruit.
3. Poser la courroie et régler la tension de manière à permettre un fléchissement de 0,15 mm par centimètre de portée lorsqu'une pression modérée du pouce est exercée sur la courroie. Ajuster la courroie à l'aide des supports de réglage de la platine moteur comme sur la Figure 7. Une tension excessive provoque une usure prématurée des roulements et du bruit. Une tension insuffisante produit un patinage au démarrage et une usure irrégulière.



Incorrect



Incorrect



Correct

Figure 6

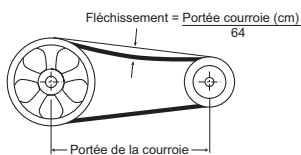
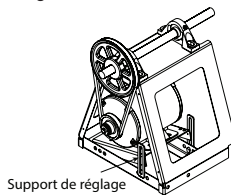


Figure 7



Support de réglage de la platine moteur

Figure 8

4. Ajuster la vitesse de rotation à l'aide de la poulie à pas variable. Après ce réglage, vérifier l'intensité consommée par le moteur pour éviter sa surcharge.

Raccordement électrique

REMARQUE : Voir le câblage sur la plaque signalétique du moteur. Se reporter aux procédures de pose et de câblage du fabricant de commutateur.

⚠ AVERTISSEMENT

Pour réduire le risque de choc électrique - ne pas raccorder à un circuit fonctionnant à plus de 150 V par rapport à la terre.

1. Le moteur et la tourelle doivent être solidement reliés à la terre (métal nu) via une masse électrique adaptée, telle qu'une conduite d'eau reliée à la terre ou un circuit de terre.
2. Câbler le moteur pour la tension souhaitée conformément au schéma de câblage figurant sur le moteur ou au schéma de câblage à la Figure 9.

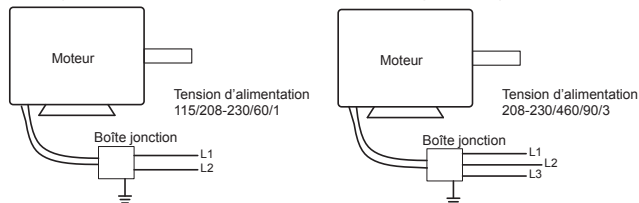


Figure 9

UTILISATION

1. Avant de démarrer et d'utiliser la nouvelle soufflante Dayton®, vérifier le bon serrage de toute la visserie. En particulier, contrôler les vis de calage de roulement dans la turbine (et les poulies, le cas échéant). En position Arrêt, ou avant de brancher l'alimentation de la soufflante, tourner la turbine à la main pour s'assurer qu'elle ne heurte aucun orifice ou obstruction.
2. Démarrer la soufflante et l'arrêter immédiatement pour vérifier que le sens de rotation de la turbine correspond à la flèche dans le compartiment du moteur.
 - a. Le bon sens de rotation de la turbine est essentiel pour éviter de mauvaises performances de soufflage, une surcharge du moteur voire un grillage du moteur.
 - b. Déposer le volet d'accès.
 - c. Pour vérifier le sens de rotation de la turbine, mettre brièvement l'appareil sous tension et vérifier si la turbine tourne dans le même sens que l'écoulement d'air en sortie et conformément à l'autocollant de rotation apposé sur la soufflante, ou bien voir la Figure 10.

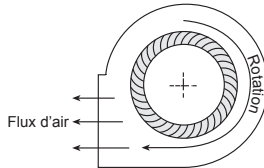


Figure 10

4. Lorsque la soufflante est en marche, observer son fonctionnement et vérifier l'absence de bruits inhabituels.
 5. Le système étant pleinement en marche, mesurer l'intensité de courant vers le moteur et la comparer à l'intensité nominale figurant sur la plaque signalétique pour vérifier s'il fonctionne dans des conditions de charge admissibles.
 6. Ajuster la vitesse de rotation à l'aide de la poulie à pas variable. Après ce réglage, vérifier l'intensité consommée par le moteur pour éviter sa surcharge.
- IMPORTANT** : Ajuster (tendre) la courroie au bout des premières 24 heures de marche.
7. Garder l'ouverture d'admission et les approches de la soufflante propres et non obstruées.

GUIDE DE DÉPANNAGE

Symptôme	Cause(s) possible(s)	Action corrective
La soufflante ne fonctionne pas	1. Alimentation électrique	1. Contrôler les fusibles/disjoncteurs. Voir si des interrupteurs sont ouverts. Vérifier la tension d'alimentation.
	2. Entraînement	2. Voir si la courroie est cassée. Serrer les courroies desserrées.
	3. Moteur	3. Vérifier que la puissance du moteur est correcte et ne déclenche pas de protection antisurcharge.
Bruit ou vibration excessifs	1. La turbine frotte contre l'admission	1. Ajuster la turbine et/ou le pavillon d'admission. Serrer le moyeu de turbine ou les colliers de palier sur l'arbre.
	2. Entraînement à courroie trapézoïdale	2. Serrer les poulies sur l'arbre de moteur/turbine. Ajuster la tension de la courroie. Aligner les poulies correctement (voir page 8). Changer les courroies ou poulies usées.
	3. Paliers	3. Changer les paliers défectueux. Lubrifier les paliers. Serrer les colliers et la visserie.
	4. Turbine déséquilibrée	4. Nettoyer toute saleté de la turbine. Vérifier l'équilibrage de la turbine, rééquilibrer comme il se doit.
Débit d'air insuffisant	1. Soufflante	1. Vérifier le sens de rotation de la turbine. Augmenter la vitesse de rotation.*
	2. Système de gaines	2. Voir page 7, Figure 4.
Débit d'air excessif	1. Soufflante	1. Redimensionner les gaines. Volet d'accès, filtres, grilles pas en place.
	2. Système de gaines	2. Changer les obstructions dans le système. Appliquer le facteur de correction pour compenser la température/altitude. Redimensionner les gaines. Nettoyer les filtres/bobines. Ajuster la vitesse de rotation.*
Pression statique incorrecte	Le système de gaines a moins ou plus de restrictions que prévu	Contrôler le sens rotation de la turbine. Ajuster la vitesse de rotation.
Surchauffe des paliers	1. Lubrification	1. Voir s'il y a trop ou pas assez de graisse dans le palier.
	2. Mécanique	2. Changer tout palier endommagé. Détendre la courroie le cas échéant. Aligner les paliers. Vérifier que l'arbre n'est pas faussé.
Surcharge ou surchauffe du moteur	1. Soufflante	1. Contrôler le sens rotation de la turbine. Réduire la vitesse de rotation.
	2. Système de gaines	2. Redimensionner les gaines. Vérifier le bon fonctionnement des registres avant et de dérivation. Contrôler les filtres et les volets d'accès.

* Toujours mesurer le courant du moteur et le comparer à la valeur nominale sur la plaque signalétique. Une vitesse excessive de la turbine peut surcharger et faire griller le moteur.

ENTRETIEN

⚠ AVERTISSEMENT

Couper et verrouiller la source d'alimentation avant l'entretien.

⚠ ATTENTION

Un nettoyage irrégulier de la turbine produit un déséquilibre qui provoque des vibrations dans la soufflante.

1. En fonction de l'utilisation et du degré de saleté de l'air, il convient d'établir un contrôle à intervalles réguliers pour le nettoyage de la turbine, du caisson et des surfaces avoisinantes.
2. Vérifier l'absence de bruits inhabituels durant la marche de la soufflante.
3. Contrôler et resserrer régulièrement toute la visserie.
4. Contrôler régulièrement l'état d'usure et la tension de la courroie.

REMARQUE : Lors du changement de courroie, toujours utiliser le même type que celui fourni avec l'appareil.

REMARQUE : Pour changer la courroie, desserrer la visserie de fixation du moteur pour permettre la dépose de la courroie à la main.

⚠ ATTENTION

Ne pas forcer sur la courroie pour la poser ou la déposer. Ceci peut causer des ruptures d'armature et une défaillance prématurée de la courroie.

5. Tous les paliers de la soufflante sont prélubrifiés. Maintenir les paliers propres et bien lubrifiés.

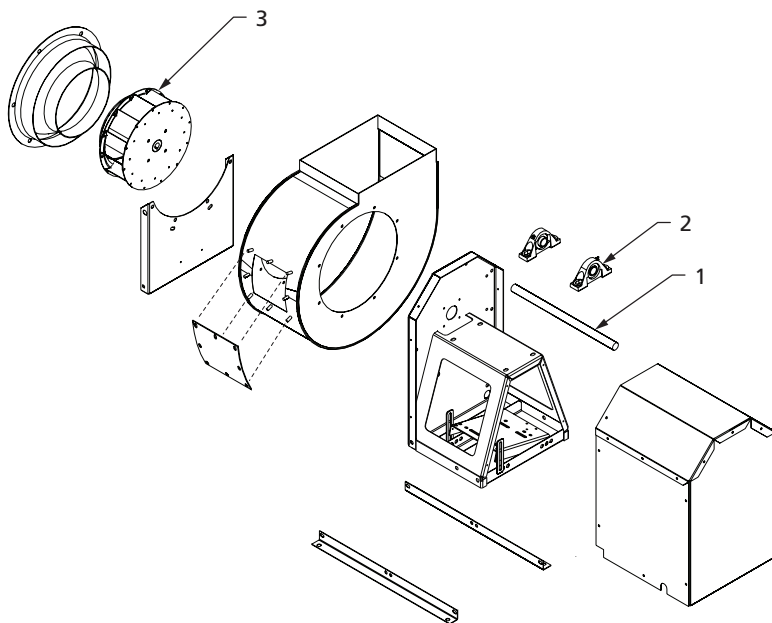
REMARQUE : Les paliers étanches ne nécessitent aucun graissage supplémentaire.

Fréquence de graissage conseillée en mois

Tr/min souffl.	Alésage palier (pouces)		Tr/min souffl.	Alésage palier (pouces)	
	1/2 à 1	3/4 à 1-1/2		1/2 à 1	3/4 à 1-1/2
Jusqu'à 250	12	12	1500	12	5
500	12	12	2000	12	3
750	12	9	2500	12	2
1000	12	7	3000	12	2
1250	12	6	3500	12	1
Nbre de coups	4	8	Nbre de coups	4	8

- a. Ajouter le lubrifiant alors que l'arbre est en rotation et jusqu'à ce que de la graisse propre soit purgée du palier. L'intervalle de lubrification devra être modifié le cas échéant en fonction de l'état de la graisse purgée.
 - b. Pour les installations soumises à des températures élevées, l'humidité, la saleté ou des vibrations excessives, se renseigner sur l'intervalle de lubrification approprié auprès de l'usine.
 - c. Utiliser une graisse complexe de lithium de haute qualité conforme à NLGI Grade 2. Le fabricant recommande Mobilux EP-2.
 - d. L'emploi de lubrifiants synthétiques allonge d'environ trois fois les intervalles de lubrification.
6. Suivre les instructions du fabricant du moteur concernant sa lubrification.
 7. Pour les applications critiques, avoir un moteur et des courroies de rechange à disposition.

ILLUSTRATION DES PIÈCES DÉTACHÉES DES SOUFLANTES D'EXTRACTION UTILITAIRES



**Pour commander des pièces détachées,
composer le 1-800-Grainger
24 heures par jour – 365 jours par an**

Fournir les informations suivantes :

- Numéro de modèle
- Numéro de série (s'il y en a un)
- Description et numéro de pièce comme indiqué sur la liste des pièces

LISTE DES PIÈCES DÉTACHÉES DES SOUFFLANTES D'EXTRACTION UTILITAIRES

N° de réf.	Description	Numéro de pièce pour le modèle :			Quantité
		488V76	488V78	488V80	

1	Arbre	21DT19	21DR22	493X37	488V82	488V84	493X40	1
2	Paliers	21DW66	21DT70	493X41	493X41	493X42	493X42	2
3	Turbine	493X58	493X50	493X52	493X54	493X56	493X56	1

N° de réf.	Description	Numéro de pièce pour le modèle :			Quantité
		488V75	488V77	488V79	

1	Arbre	21DT19	493X35	493X36	488V81	488V83	493X40	1
2	Paliers	21DW66	21DT70	493X41	493X41	493X42	493X42	2
3	Turbine	493X57	493X49	493X51	493X53	493X55	493X55	1

GARANTIE LIMITÉE D'UN AN FOURNIE PAR DAYTON

GARANTIE LIMITÉE D'UN AN FOURNIE PAR DAYTON. Tous les modèles de produits Dayton® couverts dans ce manuel sont garantis par Dayton Electric Mfg. Co. (« Dayton ») au premier utilisateur contre tout défaut de fabrication ou de matériau, dans des conditions d'utilisation normales durant un an à compter de la date d'achat. Si le produit Dayton fait partie d'un ensemble, seul le composant du produit présentant un défaut est couvert par la présente garantie. Tout produit ou toute pièce présentant un défaut de fabrication ou de matériau et retourné(e) à un centre de service agréé désigné par Dayton ou par un représentant désigné de Dayton, port payé, sera à titre de recours exclusif, réparé(e) ou remplacé(e) par un produit neuf ou une pièce neuve, ou par un produit ou une pièce remis à neuf d'utilité égale, ou fera l'objet d'un remboursement intégral, au choix de Dayton ou d'un représentant désigné de Dayton, sans frais. Voir les procédures de réclamation sous garantie limitée sous la rubrique « Service de garantie » ci-après. La présente garantie est annulée en cas de preuve de mésusage, de réparation défectueuse, d'installation défectueuse, d'utilisation abusive ou de modification. La présente garantie ne couvre pas l'usure normale des produits Dayton ou des composants de ces produits, ou des produits ou des composants de ces produits qui sont consommables durant une utilisation normale. La présente garantie limitée donne aux acheteurs des droits spécifiques et il est également possible de bénéficier d'autres droits qui varient selon les juridictions.

CLAUSES D'EXONÉRATION DE GARANTIE ET LIMITES DE RESPONSABILITÉ CONCERNANT TOUS LES CLIENTS POUR TOUS LES PRODUITS

LIMITES DE RESPONSABILITÉ. DANS LA MESURE PERMISE AU TITRE DE LA LOI APPLICABLE, DAYTON DÉCLINE EXPRESSÉMENT TOUTE RESPONSABILITÉ POUR TOUT DOMMAGE ACCESSOIRE ET INDIRECT. LA RESPONSABILITÉ DE DAYTON EST DANS TOUS LES CAS LIMITÉE ET NE SAURAIT DÉPASSER LE PRIX D'ACHAT.

CLAUSE D'EXONÉRATION DE GARANTIE. DAYTON S'EST DILIGEMMENT EFFORCÉE D'ILLUSTRER ET DE DÉCRIRE DE MANIÈRE EXACTE LES PRODUITS DE CETTE BROCHURE. CEPENDANT, CES ILLUSTRATIONS ET CES DESCRIPTIONS NE SONT DONNÉES QU'À TITRE D'IDENTIFICATION ET NE GARANTISSENT PAS EXPRESSÉMENT OU IMPLICITEMENT QUE LES PRODUITS SONT DE QUALITÉ MARCHANDE OU ADAPTÉS À UN USAGE PARTICULIER, OU QU'ILS SERONT NECESSAIREMENT CONFORMES AUX ILLUSTRATIONS OU AUX DESCRIPTIONS FOURNIES. SAUF DISPOSITIONS CONTRAIRES CI-DESSOUS, AUCUNE GARANTIE OU AFFIRMATION DE FAIT, EXPRESSE OU IMPLICITE, AUTRE QUE CELLE ÉNONCÉE À LA RUBRIQUE « GARANTIE LIMITÉE » CI-DESSUS, N'EST FOURNIE OU AUTORISÉE PAR DAYTON.

CONFORMITÉ DU PRODUIT. DANS DE NOMBREUSES JURIDICTIONS, LES CODES ET LES RÉGLEMENTATIONS QUI RÉGISSENT LES VENTES, LA CONSTRUCTION, L'INSTALLATION ET/OU L'UTILISATION DE PRODUITS POUR CERTAINS USAGES PEUVENT ÊTRE DIFFÉRENTS DE CEUX DE RÉGIONS AVOISINANTES. BIEN QUE DAYTON SE SOIT EFFORCÉE DE RENDRE SES PRODUITS CONFORMES À CES CODES, LA SOCIÉTÉ NE PEUT EN GARANTIR LA CONFORMITÉ ET NE SAURAIT ÊTRE RESPONSABLE DE LA MANIÈRE DONT LES PRODUITS SONT INSTALLÉS OU UTILISÉS. AVANT D'ACHETER ET D'UTILISER UN PRODUIT, IL EST CONSEILLÉ D'ÉtudIER LES DIRECTIVES DE SÉCURITÉ/CARACTÉRISTIQUES TECHNIQUES AINSI QUE LES CODES ET RÉGLEMENTATIONS NATIONAUX ET LOCAUX APPLICABLES, ET DE S'ASSURER DE LA CONFORMITÉ À CES CODES DE CES PRODUITS, DE LEUR INSTALLATION ET DE LEUR UTILISATION.

CONSOMMATEURS SEULEMENT. CERTAINS ASPECTS DES DÉNIS DE GARANTIE NE SONT PAS APPLICABLES AUX PRODUITS DE CONSOMMATION VENDUS AUX CONSOMMATEURS; (A) CERTAINES JURIDICTIONS N'AUTORISENT PAS L'EXCLUSION OU LA LIMITATION DES DOMMAGES ACCESSOIRES OU INDIRECTS, DE SORTE QUE LA LIMITATION OU L'EXCLUSION SUSMENTIONNÉE PEUT NE PAS S'APPLIQUER À VOTRE CAS; (B) EN OUTRE, CERTAINES JURIDICTIONS N'AUTORISENT PAS DE LIMITER SUR LA DURÉE D'UNE GARANTIE IMPLICITE, PAR CONSÉQUENT LA LIMITE SUSMENTIONNÉE PEUT NE PAS S'APPLIQUER À VOTRE CAS; ET (C) EN VERTU DE LA LOI, DURANT LA PÉRIODE DE GARANTIE LIMITÉE, TOUTE GARANTIE IMPLICITE DE QUALITÉ MARCHANDE OU D'ADÉQUATION À UN USAGE PARTICULIER APPLICABLE AUX PRODUITS DE CONSOMMATION ACHETÉS PAR DES CONSOMMATEURS, EST SUSCEPTIBLE DE NE PAS POUVOIR ÊTRE EXCLUE OU AUTREMENT DÉNIÉE.

LA PRÉSENTE GARANTIE LIMITÉE S'APPLIQUE SEULEMENT AUX ACHETEURS AUX ÉTATS-UNIS POUR UNE LIVRAISON À L'INTÉRIEUR DES ÉTATS-UNIS.

SERVICE DE GARANTIE

Pour obtenir le service de garantie si le produit couvert a été acheté directement auprès de W.W. Grainger, Inc. (« Grainger »), (i) écrire, téléphoner à la succursale ou visiter la succursale locale de Grainger auprès de laquelle le produit a été acheté ou une autre succursale de Grainger à proximité (consulter le site www.grainger.com pour obtenir la liste des succursales de Grainger); ou (ii) communiquer avec Grainger en se rendant sur le site www.grainger.com et en cliquant sur le lien « Contact Us » en haut de la page, puis sur le lien « Email us »; ou (iii) appeler le service clientèle (sans frais) en composant le 1-888-361-8649. Pour obtenir le service de garantie si le produit couvert a été acheté auprès d'un autre distributeur ou d'un autre détaillant, (i) se rendre sur le site www.grainger.com pour obtenir le service de garantie; (ii) écrire, téléphoner à une succursale ou visiter une succursale de Grainger à proximité; ou (iii) appeler le service clientèle (sans frais) en composant le 1-888-361-8649. Dans tous les cas, il sera nécessaire de fournir dans la mesure du possible, la date d'achat, le numéro d'origine de la facture, le numéro de stock, une description du défaut et tout autre élément spécifié en vertu de la présente garantie limitée d'un an de Dayton. Il sera peut-être exigé de renvoyer le produit moyennant certains frais pour qu'il soit vérifié. Il est possible d'obtenir un suivi quant aux vérifications et aux modifications en cours par les moyens indiqués. Le titre et le risque de perte passe de l'acheteur au transporteur public lors de la livraison, par conséquent si le produit est endommagé pendant son transport, toute réclamation doit être déposée auprès du transporteur, et non pas auprès du détaillant, Grainger ou Dayton. Pour toute information sur la garantie concernant les acheteurs et/ou une livraison à l'extérieur des États-Unis, utiliser les informations de contact suivantes applicables :

**Dayton Electric Mfg. Co.,
100 Grainger Parkway, Lake Forest, IL 60045 États-Unis
ou composer le +1-888-361-8649**